

MODELS:

PDU3VSR3L1520, PDU3VSR10L1520

3-Phase Switched Rackmount PDU



208V
3-Phase Input



L15-20P Plug



208V Single-Phase Output



24 Outlets

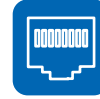


5.7kW

5.7kW Load Capacity



Multimode Load Meter



Network Interface

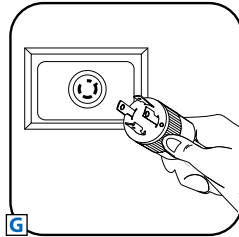


0U Rackmount



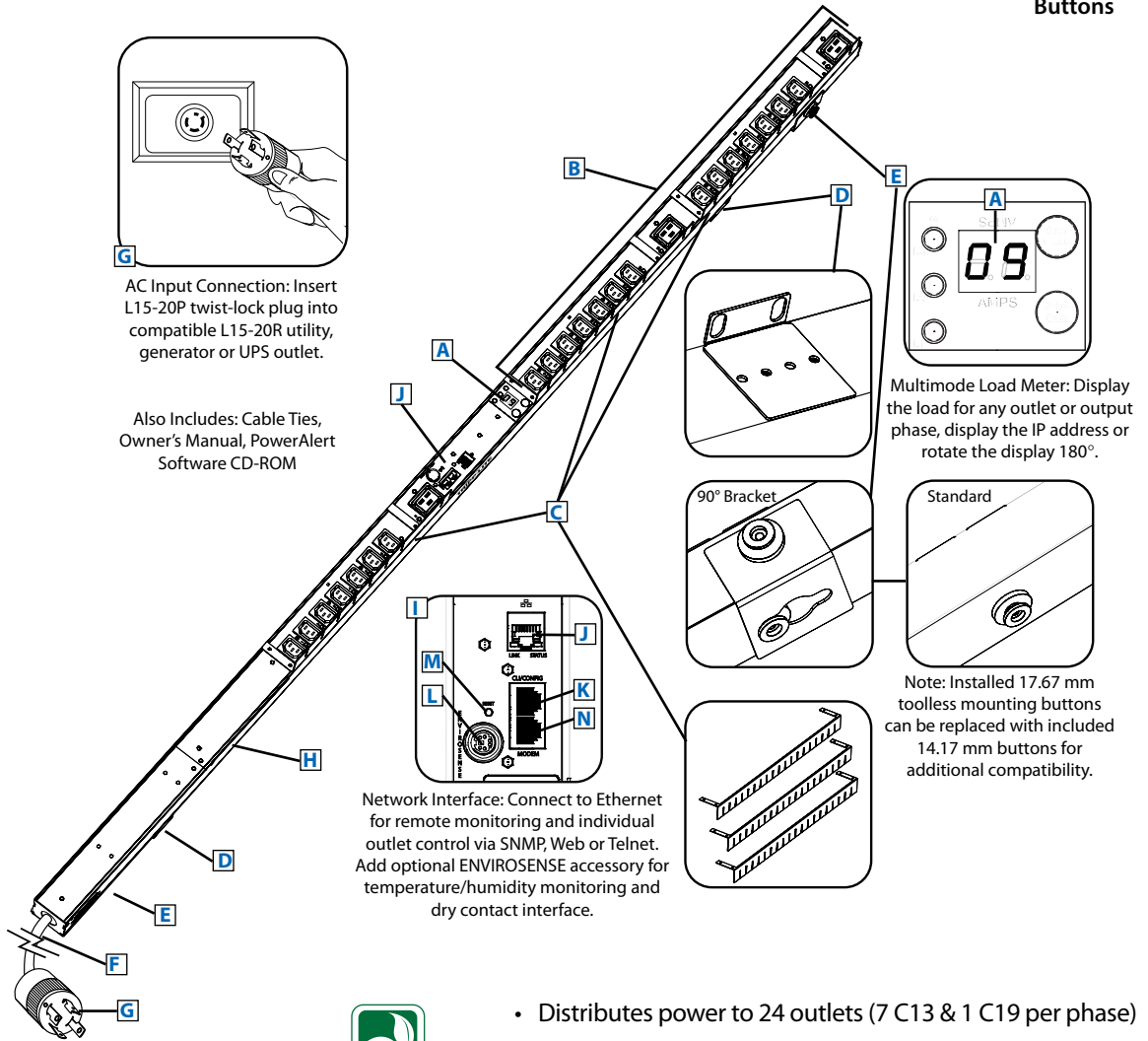
Toolless Mounting Buttons

- A** Digital Load Meter
- B** C13 and C19 Outlets with On/Off LEDs
- C** Removable Cord Retention Brackets
- D** Removable Mounting Brackets
- E** Toolless Mounting Buttons with Removable 90° Rotation Brackets
- F** PDU3VSR3L1520: 3-ft. Input Power Cord
PDU3VSR10L1520: 10-ft. Input Power Cord
- G** L15-20P Twist-Lock Input Plug
- H** Durable Metal Case
- I** Network Interface
- J** RJ45 Ethernet Jack
- K** Manual Configuration Port
- L** Environmental Monitoring Port
- M** Network Interface Reset Button
- N** Modem Port (For Future Use)

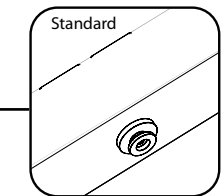
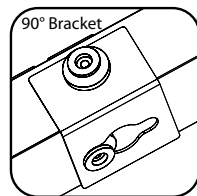
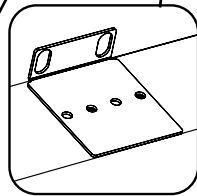


AC Input Connection: Insert L15-20P twist-lock plug into compatible L15-20R utility, generator or UPS outlet.

Also Includes: Cable Ties, Owner's Manual, PowerAlert Software CD-ROM

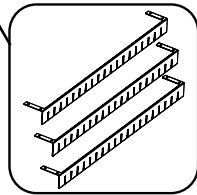


Multimode Load Meter: Display the load for any outlet or output phase, display the IP address or rotate the display 180°.



Note: Installed 17.67 mm toolless mounting buttons can be replaced with included 14.17 mm buttons for additional compatibility.

Network Interface: Connect to Ethernet for remote monitoring and individual outlet control via SNMP, Web or Telnet. Add optional ENVIROSENSE accessory for temperature/humidity monitoring and dry contact interface.



Specifications

Models	PDU3VSR3L1520, PDU3VSR10L1520
Voltage	208V (3-Phase Input/Single-Phase Output)
Frequency	50/60Hz
Load Capacity	5.7kW
Input Plug	L15-20P
Input Cord Length	PDU3VSR3L1520: 3 ft., PDU3VSR10L1520: 10 ft.
Outlets	24 (21 C13 / 3 C19)
Primary Mounting Option	0U (Vertical) Rackmount
Unit Weight & Dimensions	PDU3VSR3L1520: 10.2 lbs / 70 x 2.20 x 1.73 in., PDU3VSR10L1520: 11.5 lbs / 70 x 2.20 x 1.73 in. See next page for detailed unit measurements.
Certifications	Tested to UL 60950-1 (US & Canada), NOM (Mexico), FCC Class A



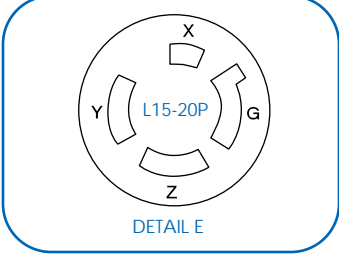
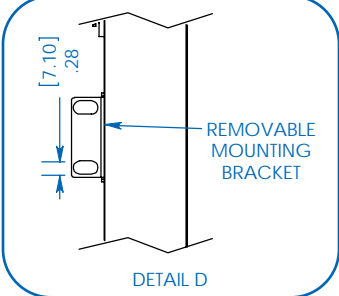
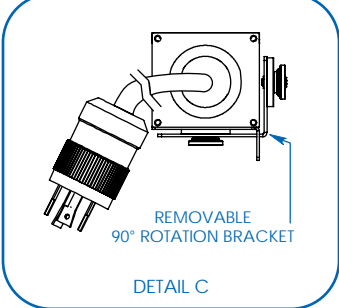
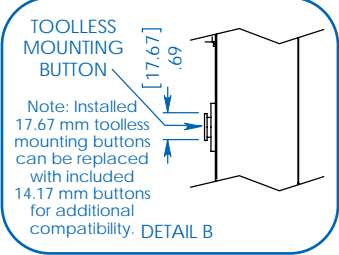
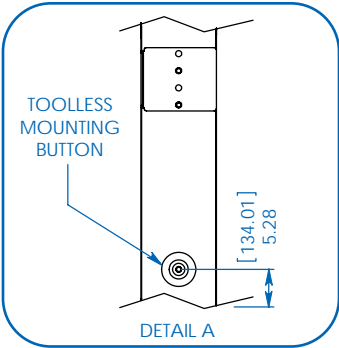
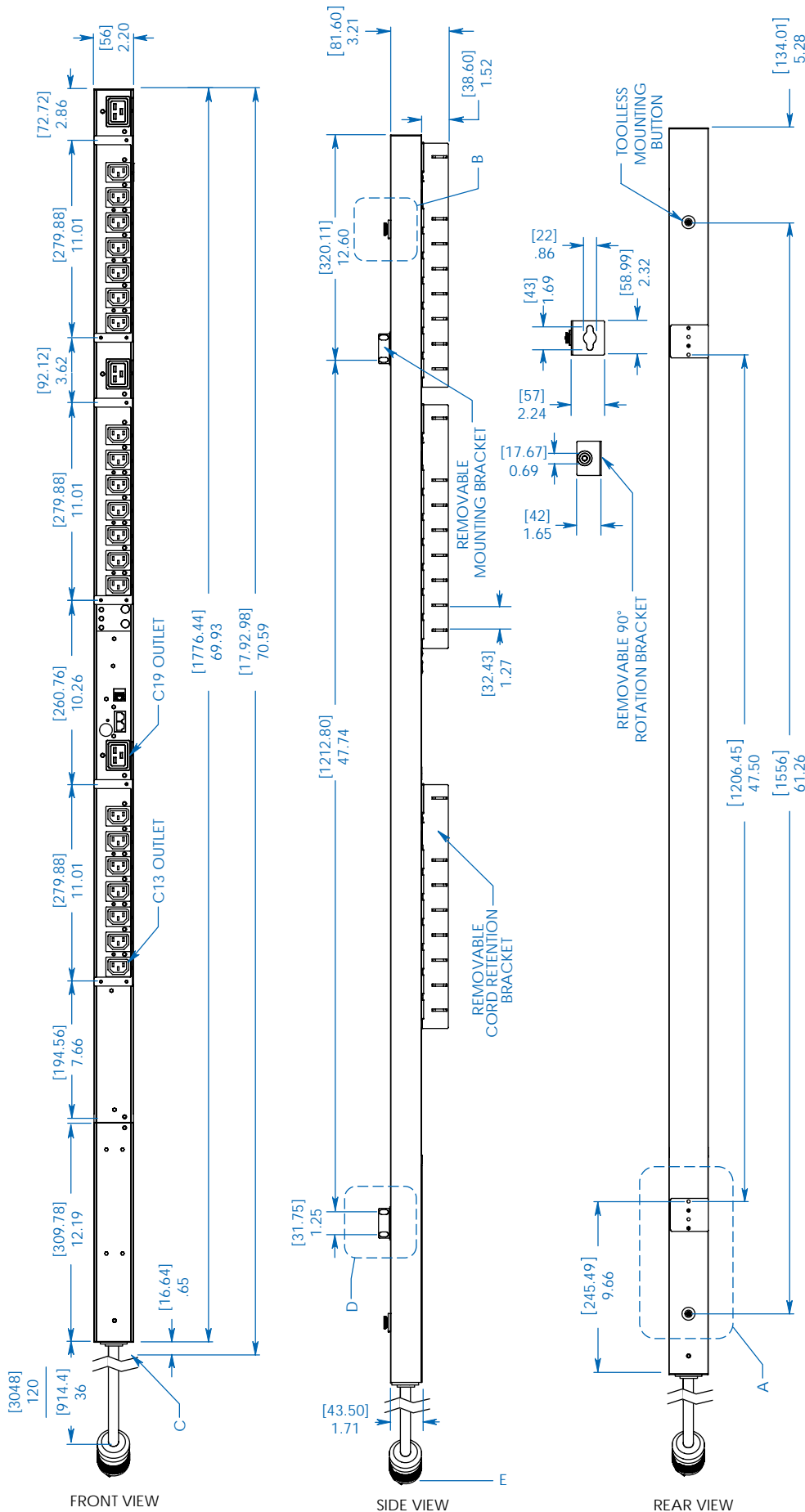
Tripp Lite has a policy of continuous improvement. Specifications are subject to change without notice.

- Distributes power to 24 outlets (7 C13 & 1 C19 per phase)
- Remote monitoring and control via SNMP, Web or Telnet
- Displays load for **any outlet or output phase** in real time
- Perfect for rackmount server, network and telecom applications

SEE NEXT PAGE FOR DETAILED UNIT MEASUREMENTS



1111 W. 35th Street
Chicago, IL 60609 USA
773.869.1234
www.triplite.com



Dimensions: [mm] INCHES

Tripp Lite has a policy of continuous improvement. Specifications are subject to change without notice.

MODEL:
PDU3VSR3L1520,
PDU3VSR10L1520



1111 W. 35th Street
 Chicago, IL 60609 USA
 773.869.1234
 www.tripplite.com