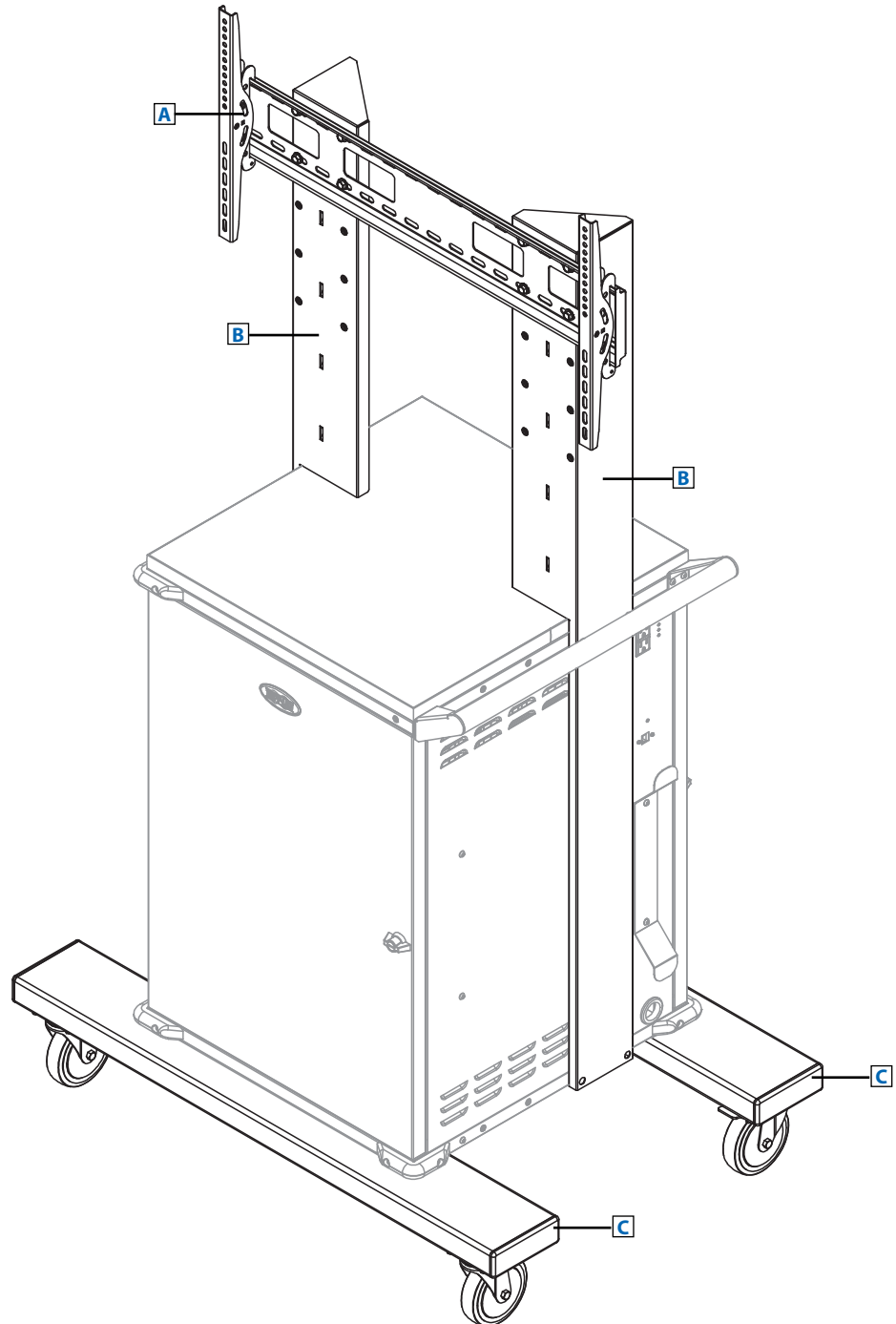


MODEL:

CSC36DM

Display Mount Adapter Kit for 36-Device AC Charging Station Cart

- A** Display Mount
- B** Upright Supports
- C** Outrigger Tubes

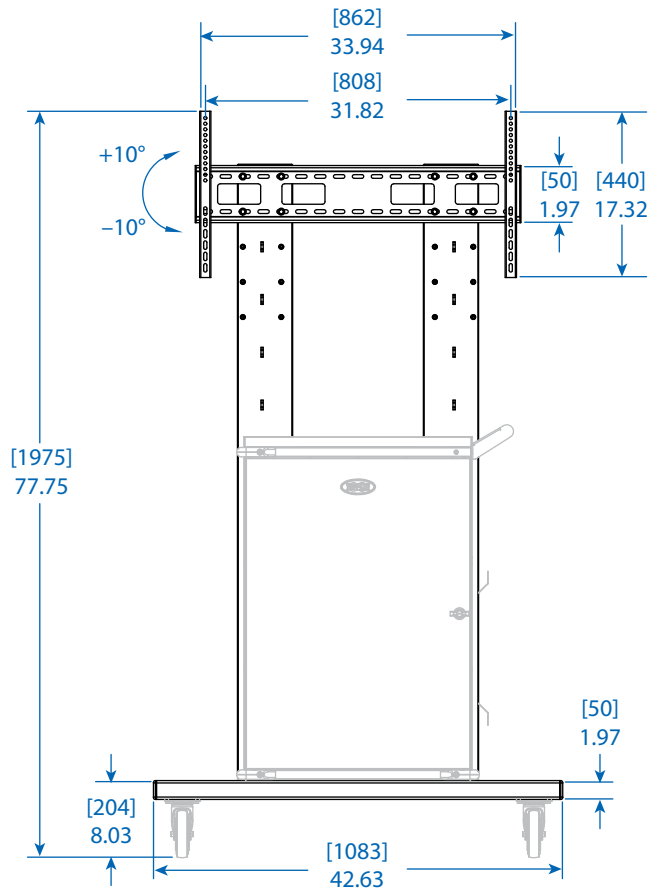


- Converts a CSC36AC charging station cart to a mobile display cart (charging station not included)
- Fits most flat- or recessed-back displays up to 60 in.
- -10° to 10° tilt capability for comfortable viewing
- Includes all necessary installation and mounting hardware
- Easily rolls through standard doorways when assembled
- Supports up to 100 lb.

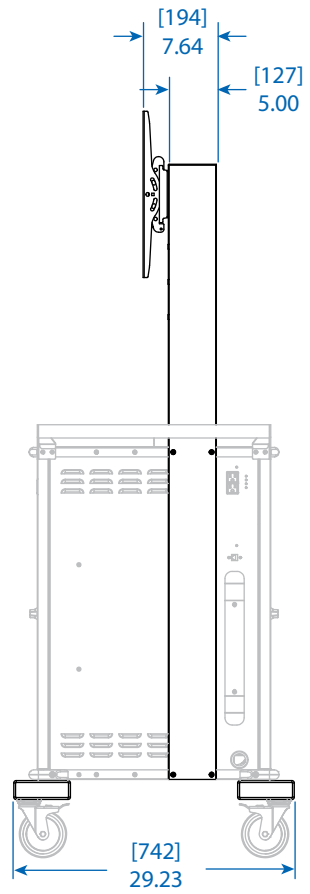
SEE NEXT PAGE FOR DETAILED UNIT MEASUREMENTS

TRIPP-LITE

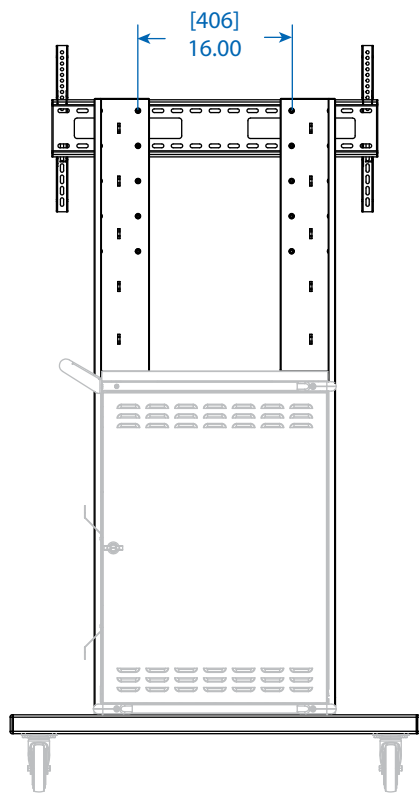
1111 W. 35th Street
Chicago, IL 60609 USA
773.869.1234
www.tripplite.com



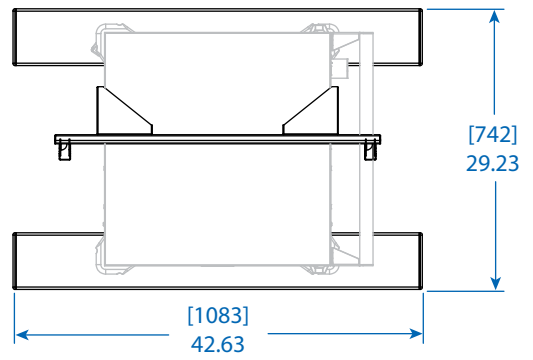
FRONT VIEW



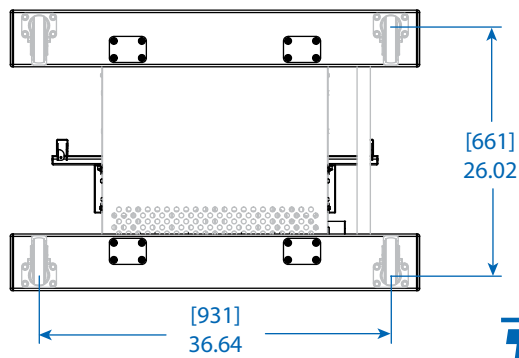
SIDE VIEW



BACK VIEW



TOP VIEW



BOTTOM VIEW

MODEL:
CSC36DM



1111 W. 35th Street
Chicago, IL 60609 USA
773.869.1234
www.tripplite.com

Dimensions: [mm] INCHES

Tripp Lite has a policy of continuous improvement. Specifications are subject to change without notice.