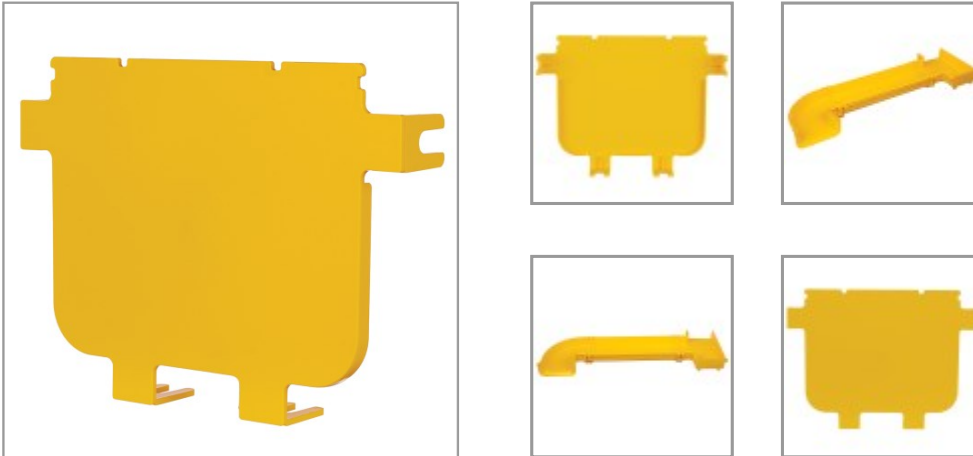


Toolless End Cap for Fiber Routing System, 120 mm (5 in.)

MODEL NUMBER: SRFC5CAP



Raceway end cap closes off the open end of a horizontal or vertical section of your data center's or network closet's fiber management system.

Features

High-Impact PVC End Cap Helps You Create Custom Fiber Cable Routing Schemes

The SmartRack® SRFC5CAP closes off an open end of a horizontal or vertical channel section in your fiber routing system. Made from durable, lightweight PVC material, this end cap connects using the included hardware. Screws and nuts tighten by hand with no tools required to help keep your fiber optic cables organized and complete a professional, finished look in your data center, network closet or industrial space.

Highlights

- Allows you flexibility in creating your custom fiber optic cable routing system
- Constructed from durable but lightweight PVC plastic
- Easy to install with your fiber routing system with no tools needed

Applications

- Create a fiber routing system along the wall or ceiling of your data center or network closet or across the tops of the rack enclosures

System Requirements

Requires a 5 in. or 120 mm wide section from Tripp Lite's Fiber Routing System

Package Includes

- End cap, 120 mm
- (4) T-shaped screws
- (4) Twist nuts
- Installation guide

Specifications

OVERVIEW	
UPC Code	037332240927
Product Type	Endcap
Cable Management System Component Type	End Cap
PHYSICAL	
Color	Yellow
Shipping Dimensions (hwd / in.)	1.18 x 6.89 x 5.03
Shipping Weight (kg)	0.13



Tripp Lite
1111 W. 35th Street
Chicago, IL 60609 USA
Telephone: 773.869.1234
www.tripplite.com

Unit Dimensions (hwd / cm)	11.5824 x 13.462 x 2.4892
Unit Dimensions (hwd / in.)	4.560 x 5.300 x 0.980
Unit Weight (kg)	0.05
Unit Weight (lbs.)	0.110
WARRANTY	
Product Warranty Period (Worldwide)	5-year limited warranty

© 2020 Tripp Lite. All rights reserved. All product and company names are trademarks or registered trademarks of their respective holders. Use of them does not imply any affiliation with or endorsement by them. Tripp Lite has a policy of continuous improvement. Specifications are subject to change without notice. Tripp Lite uses primary and third-party agencies to test its products for compliance with standards. See a list of Tripp Lite's testing agencies: <https://www.tripplite.com/products/product-certification-agencies>