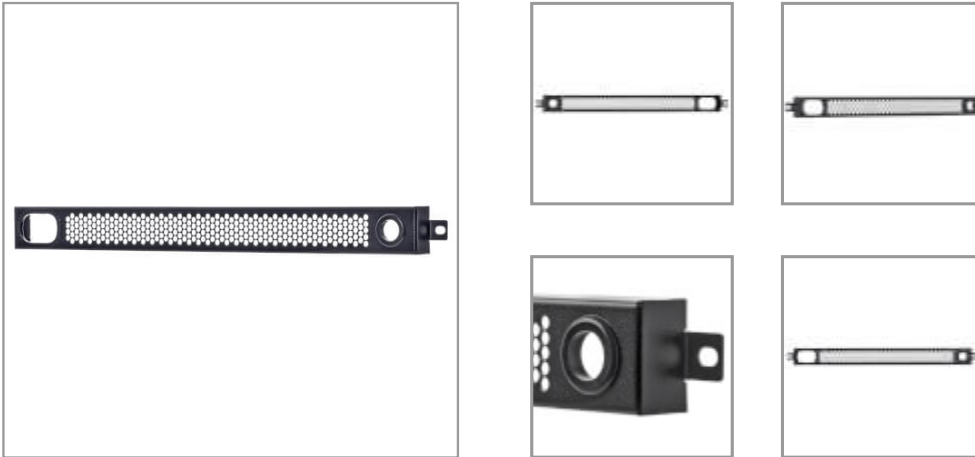


SmartRack Fixed Standoff Security Cage for Rack Equipment, 1U, Rear

MODEL NUMBER: SR1UCAGEREAR



Locking security cage protects rack equipment and cabling against damage, tampering, theft and unauthorized access.

Features

1U Rear Rack Accessory Helps Secure Essential Rack-Mounted Equipment

This SmartRack® security panel installs on the back of your EIA-standard 19-inch rack cabinet or 2- or 4-post open frame rack to keep your connected equipment, cabling and accessories safe. Made from cold-rolled steel with a durable black powder-coated finish, the SR1UCAGEREAR helps protect your equipment against damage, tampering, theft or other unauthorized access. This security cage is essential for racks located in shared spaces or areas with public access.

Easy to Install over Existing Rack Equipment with Included Hardware

Ideal for data centers, wiring closets, back offices or anywhere else with rack-mount equipment, the SR1UCAGEREAR comes with necessary tamper-proof mounting hardware. Cable access ports on either end allow convenient cable entry and exit. The cage's perforated design allows constant airflow to help keep equipment cool and lets you monitor equipment without opening the cage.

Highlights

Access ports on either end allow convenient cable entry and exit
 Heavy-duty steel construction designed to hold up in busy IT environments
 Perforated design allows airflow to equipment and visual monitoring of equipment
 Easy to install over existing rack equipment with included mounting hardware
 Recommended for racks located in shared spaces or areas with public access

Package Includes

1U Cage
 M6 security screws
 Lock washers
 Cage nuts
 Security bit
 Owner's manual

Specifications

OVERVIEW	
UPC Code	037332262851
Accessory Type	Security Accessories
Accessory Class	Rack Accessories
PHYSICAL	
Unit Dimensions (hwd / in.)	18.860 x 1.670 x 1.080
Unit Dimensions (hwd / cm)	47.90 x 4.24 x 2.74
Unit Weight (lbs.)	0.410
Unit Weight (kg)	0.19



Powering Business Worldwide



STANDARDS & COMPLIANCE	
Product Compliance	RoHS
WARRANTY & SUPPORT	
Product Warranty Period (Worldwide)	5-year limited warranty

1000 Eaton Boulevard
Cleveland, OH 44122
United States
<https://tripplite.eaton.com>

© 2024 Eaton. All Rights Reserved.
Eaton is a registered trademark. All other trademarks
are the property of their respective owners.