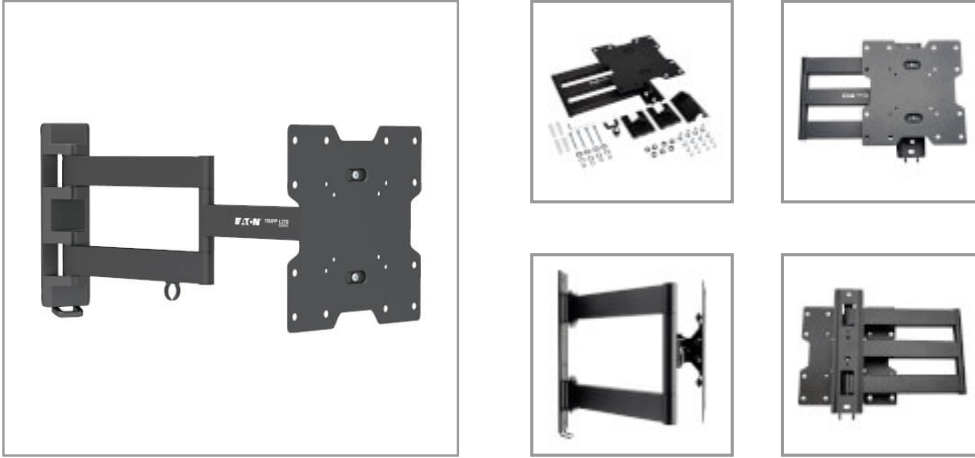


Swivel/Tilt Wall Mount with Arms for 17" to 42" TVs and Monitors, UL certified

MODEL NUMBER: DWM1742MA



Hangs a flat-panel television, monitor or other display on the wall. Ideal for home theaters, classrooms, boardrooms, hotels, bars and restaurants. Swivels and tilts to provide optimal viewing angles.

Description

The VESA-compliant DWM1742MA Swivel/Tilt Wall Mount allows you to mount your flat-panel television, monitor or other display on the wall. Ideal for home theaters, classrooms, boardrooms, hotels, bars and restaurants, it fits most flat-panel displays from 17 to 42 inches.

The full-motion swivel arm can be adjusted for angle to give you maximum flexibility in positioning your display to fit your environment and comfort level. A 180° swivel, -15° to +15° tilt and -3° to +3° screen level adjustment capability minimizes glare and provides comfortable viewing from multiple angles.

Durable all-metal frame with scratch-resistant powder-coated finish supports up to 77 lbs (34.9 kgs).

Mounting hardware included. Conforms to VESA-compliant displays with any of the following mounting hole patterns: 75 x 75 mm, 75 x 100 mm, 75 x 200 mm, 100 x 75 mm, 100 x 100 mm, 100 x 200 mm, 200 x 75 mm, 200 x 100 mm and 200 x 200 mm.

Features

Mounts Your TV or Monitor to the Wall Fits most flat-panel televisions, monitors and other displays from 17 to 42 in. Ideal for home theaters, classrooms, boardrooms, hotels, bars and restaurants Full-motion swivel arm adjusts for angle Mounting hardware included UL certified

Convenient One-Touch Adjustment 180° swivel, -15° to +15° tilt and -3° to +3° screen level adjustment capability provides comfortable viewing from multiple angles

Durable Metal Construction Supports up to 77 lbs (34.9 kgs) Scratch-resistant powder-coated finish blends with any décor Display cables attach to mount to reduce clutter

VESA Compliance Supports the following VESA mounting hole patterns: 75 x 75 mm, 75 x 100 mm, 75 x 200 mm, 100 x 75 mm, 100 x 100 mm, 100 x 200 mm, 200 x 75 mm, 200 x 100 mm and 200 x 200 mm

Specifications

Highlights

- Fits most flat-panel displays from 17 to 42 in.
- One-touch adjustment for comfortable viewing
- 180° swivel, -15° to +15° tilt and -3° to +3° screen adjustment
- Supports up to 77 lbs (34.9 kgs)
- UL certified

Package Includes

- Arm assembly
- (2) Top/bottom covers
- Middle cover
- Mounting template
- Cable cover
- Cable clip
- M4 x 5 screw
- (4) M4 x 14 screws
- (4) M5 x 14 screws
- (4) M6 x 14 screws
- (4) M8 x 20 screws
- (4) D5 washers
- (4) D8 washers
- (8) Small spacers
- (4) Anchor bolts
- (4) Concrete anchors
- (4) D6 washers
- Hex key
- Owner's manual

OVERVIEW

UPC Code

037332183545



Powering Business Worldwide

TRIPP LITE
SERIES

Device Compatibility	Monitor/HDTV
PHYSICAL	
Color	Black
Material of Construction	Steel
VESA Pattern (mm)	100x100; 100x200; 100x75; 200x100; 200x200; 200x75; 75x100; 75x200; 75x75
Motion	Full
Mounting Location	Wall
Degrees of Motion	-15/+15 Tilt; 180 Swivel; -3/+3 Level Adjustment
Minimum Screen Size (in.)	17
Minimum Screen Size (cm)	43.18
Maximum Screen Size (in.)	42
Maximum Screen Size (cm)	106.68
Maximum Weight Capacity (lbs.)	77
Maximum Weight Capacity (kg)	35
Min/Max Arm Extension (in.)	2.21 min to 20.08 max
Min/Max Arm Extension (cm)	5.6 min to 51 max
Number of Displays	1
Shipping Dimensions (hwd / in.)	3.40 x 15.60 x 11.70
Shipping Dimensions (hwd / cm)	8.64 x 39.62 x 29.72
Shipping Weight (lbs.)	8.50
Shipping Weight (kg)	3.86
Unit Dimensions (hwd / in.)	11.100 x 8.740 x 21.960
Unit Dimensions (hwd / cm)	28.2 x 49.4 x 22.2
Unit Weight (lbs.)	7.88
Unit Weight (kg)	3.57
Assembly Required	Yes
FEATURES & SPECIFICATIONS	
Antimicrobial	No
Cord Management	Yes
Tools Necessary	Yes
Security Lock	No
STANDARDS & COMPLIANCE	
Product Certifications	UL 2442
Product Compliance	RoHS; REACH



Powering Business Worldwide

TRIPP LITE
SERIES

WARRANTY & SUPPORT

Product Warranty Period
(Worldwide)

5-year limited warranty

1000 Eaton Boulevard
Cleveland, OH 44122
United States
<https://tripplite.eaton.com>

© 2025 Eaton. All Rights Reserved.
Eaton is a registered trademark. All other trademarks
are the property of their respective owners.