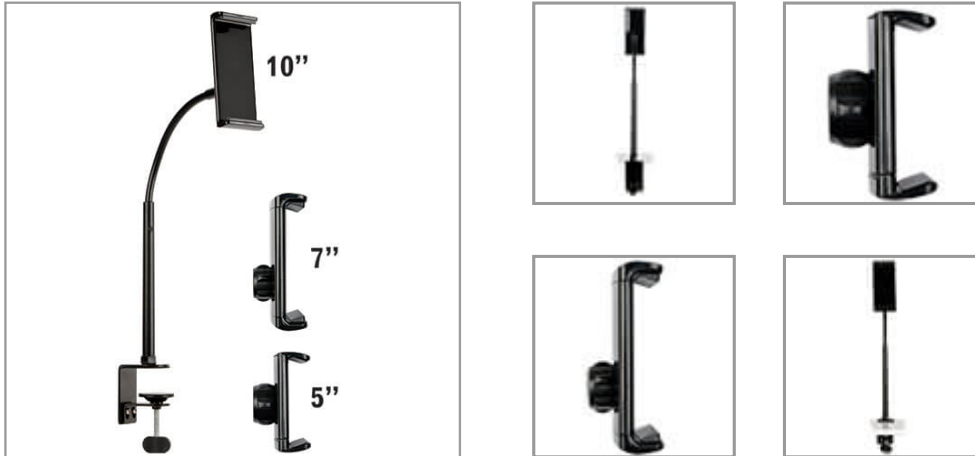


Full Motion Universal Tablet and Phone Desk Clamp

MODEL NUMBER: DDR0310SC



Mounts your tablet or smartphone off the surface of your desk, table or workstation to free up valuable space. Ideal for home or office use.

Description

The DDR0310SC Full Motion Universal Tablet and Phone Desk Clamp attaches to your desk, table or workstation, allowing you to mount your tablet or smartphone above it and free up valuable workspace. Durable clamp attaches to most flat surfaces up to 1.7 inches thick for a firm grip. Flexible tube bends easily to adjust your device's angle and height to fit your environment and comfort level. Includes three separate holders that fit most smartphones and tablets from 3.5 to 10 inches. Rotates 360°, so you can view your device in portrait or landscape orientation. Easy installation in seconds with no tools necessary. Supports devices up to 2.2 pounds.

Features

Attaches to Most Desks, Tables and Workstations

- Clamps securely to most flat surfaces up to 1.7 in.
- Fits most smartphones and tablets from 3.5 to 10 in.
- Flexible tube bends easily to adjust your device to a comfortable viewing angle
- Full 360° rotation for viewing in portrait or landscape orientation

Installs in Seconds

- No tools necessary
- Includes 3 separate holders to fit devices of various sizes
- Supports up to 2.2 lb.

Specifications

Highlights

- Durable clamp attaches to most flat surfaces
- 3 separate holders fit most devices from 3.5 to 10 in.
- Rotates 360° for portrait or landscape orientation
- Supports up to 2.2 lb.

Package Includes

- DDR0310SC Full Motion Universal Tablet and Phone Desk Clamp
- Owner's manual



Tripp Lite
1111 W. 35th Street
Chicago, IL 60609 USA
Telephone: 773.869.1234
www.tripplite.com

OVERVIEW	
UPC Code	037332183620
PHYSICAL	
Color	Black
Degrees of Motion	360 Rotate
Material of Construction	Steel
Maximum Screen Size (cm)	25.4
Maximum Screen Size (in.)	10
Maximum Weight Capacity (kg)	1
Maximum Weight Capacity (lbs.)	2.2
Minimum Screen Size (cm)	8.89
Minimum Screen Size (in.)	3.5
Motion	Full
Mounting Location	Desk Clamp
Shipping Dimensions (hwd / cm)	8.59 x 8.20 x 38.00
Shipping Dimensions (hwd / in.)	3.38 x 3.23 x 14.96
Shipping Weight (kg)	1.04
Shipping Weight (lbs.)	2.30
Unit Dimensions (hwd / cm)	50.01 x 19.05 x 7.16
Unit Dimensions (hwd / in.)	19.69 x 7.50 x 2.82
Unit Weight (kg)	0.73
Unit Weight (lbs.)	1.60
FEATURES & SPECIFICATIONS	
Tools Necessary	No
Cord Management	No
WARRANTY	
Product Warranty Period (Worldwide)	5-year limited warranty

© 2019 Tripp Lite. All rights reserved. All product and company names are trademarks or registered trademarks of their respective holders. Use of them does not imply any affiliation with or endorsement by them. Tripp Lite has a policy of continuous improvement. Specifications are subject to change without notice. Tripp Lite uses primary and third-party agencies to test its products for compliance with standards. See a list of Tripp Lite's testing agencies: <https://www.tripplite.com/products/product-certification-agencies>