

Industrial Connectivity Solutions

Model Series:
N206-XXX-IND
P569-XXX-IND
U325-XXX-IND
N200P-XXX-IND
N455-XXX-IND
N820-XXX-IND

Industrial connectivity solutions comply with the IP44 standard for protection against water intrusion on all sides, as well the IP68 standard for protection against invasive dust, dirt and sand, and submersion in up to 1.5 m of water for up to 60 minutes.

Note: *Certain product combinations are needed to achieve IP44 and/or IP68 standards. See section 4. Product Combinations for IP44 and IP68 Protection for more information. IP68 Protection rating is based on manufacturer's guarantee.*

Este manual está disponible en español en la página de Eaton:
Tripplite.Eaton.com/support

Ce manuel est disponible en français sur le site Web de Eaton :
Tripplite.Eaton.com/support

Dieses Handbuch ist in deutscher Sprache auf der Eaton-Website
verfügbar: Tripplite.Eaton.com/support

Questo manuale è disponibile in italiano sul sito web di Eaton:
Tripplite.Eaton.com/support



Powering Business Worldwide

Table of Contents

Industrial Connectivity Solutions Complete Product Listing	3
1. N206-SB01-IND Surface Box Dimensions	4
2. Industrial Bulkhead Coupler Installation (N206-BC01-IND, U325-000-IND, P569-000-FF-IND, N455-BC01-IND)	5
3. Industrial Keystone Jack Installation (N206-KJ01-IND)	7
4. Product Combinations for IP44 and IP68 Protection	10
Warranty and Product Registration	11

Industrial Connectivity Solutions Complete Product Listing

Industrial Faceplates

N206-FP01-IND (1 Cutout)
N206-FP02-IND (2 Cutouts)
N206-FP04-IND (4 Cutouts)

Industrial Surface Mount Box

N206-SB01-IND

Bulkhead Couplers and Keystone Jacks

N206-BC01-IND
(Cat5e/6 Bulkhead Coupler)
N206-KJ01-IND (Keystone Jack)
U325-000-IND (USB 3.0 Coupler)
P569-000-FF-IND (4K HDMI Coupler)
N455-BC01-IND
(Multimode Fiber LC/LC Coupler)

Industrial Patch Cables & 4PPoE (90W) Cables

N206-PC03-IND
(3 ft. Cat5e/6 Patch Cable)
N206-PC10-IND
(10 ft. Cat5e/6 Patch Cable)
N206-PC16-IND
(16 ft. Cat5e/6 Patch Cable)
N206-PC23-IND
(23 ft. Cat5e/6 Patch Cable)
N206-PC33-IND
(33 ft. Cat5e/6 Patch Cable)
N206-PC50-IND
(50 ft. Cat5e/6 Patch Cable)
N200P-003BL-IND
(3 ft. Cat6 4PPoE Cables)
N200P-010BL-IND
(10 ft. Cat6 4PPoE Cables)
N200P-016BL-IND
(16 ft. Cat6 4PPoE Cables)
N200P-023BL-IND
(23 ft. Cat6 4PPoE Cables)
N200P-033BL-IND
(33 ft. Cat6 4PPoE Cables)

Industrial Patch Cables & 4PPoE (90W) Cables (continued)

N200P-050BL-IND
(50 ft. Cat6 4PPoE Cables)

Industrial USB 3.0 Cables

U325-003-IND (3 ft. USB 3.0 Cable)
U325-006-IND (6 ft. USB 3.0 Cable)
U325-010-IND (10 ft. USB 3.0 Cable)
U325-013-IND (13 ft. USB 3.0 Cable)

Industrial 4K HDMI Cables

P569-003-IND (3 ft. 4K HDMI Cable,
1 water-resistant connector)
P569-006-IND (6 ft. 4K HDMI Cable,
1 water-resistant connector)
P569-010-IND (10 ft. 4K HDMI Cable,
1 water-resistant connector)
P569-012-IND (12 ft. 4K HDMI Cable,
1 water-resistant connector)
P569-003-IND2 (3 ft. 4K HDMI Cable,
2 water-resistant connectors)
P569-006-IND2 (6 ft. 4K HDMI Cable,
2 water-resistant connectors)
P569-010-IND2 (10 ft. 4K HDMI Cable,
2 water-resistant connectors)
P569-012-IND2 (12 ft. 4K HDMI Cable,
2 water-resistant connectors)

Industrial Duplex Multimode Fiber Patch Cables

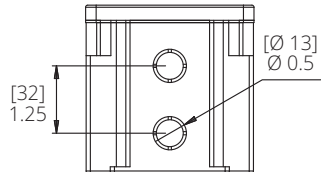
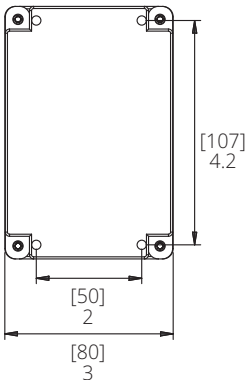
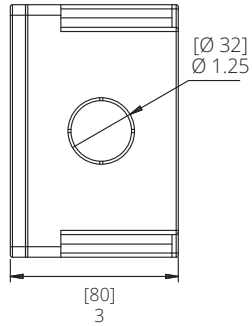
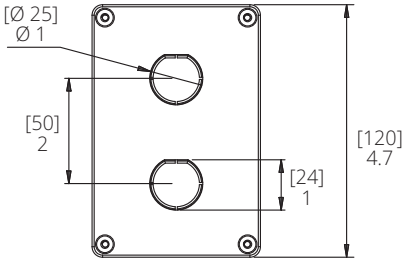
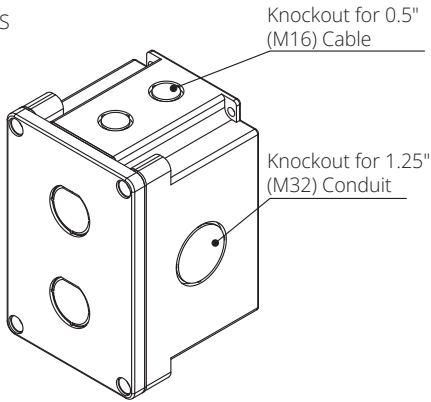
N820-01M-IND
(1 m LC/LC Fiber Patch Cables)
N820-02M-IND
(2 m LC/LC Fiber Patch Cables)
N820-05M-IND
(5 m LC/LC Fiber Patch Cables)
N820-10M-IND
(10 m LC/LC Fiber Patch Cables)

Waterproof Cable Assembly Kit

N206-WK01-IND

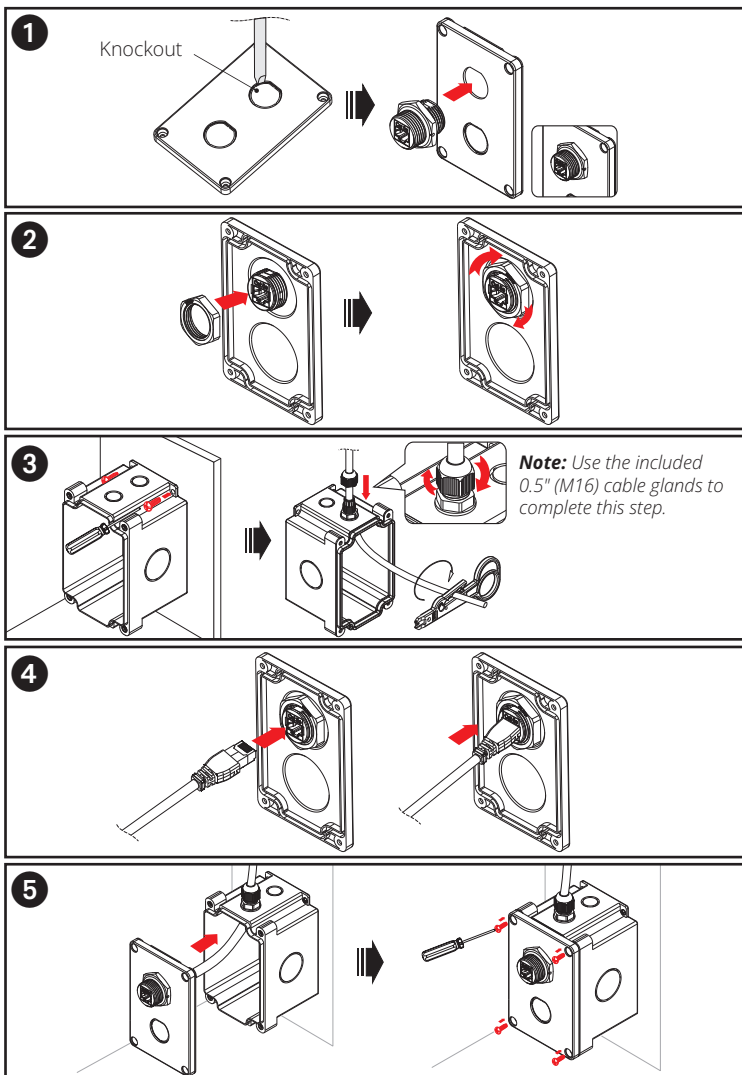
1. N206-SB01-IND Surface Mount Box Dimensions

Dimensions: [mm] INCHES



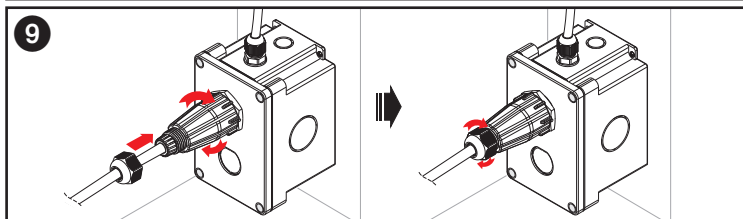
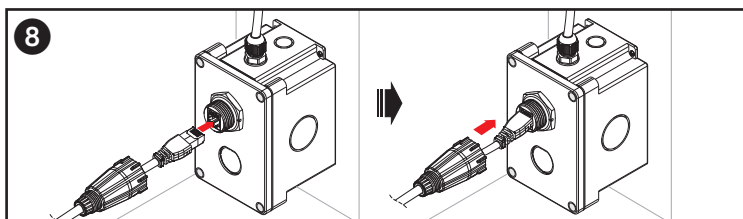
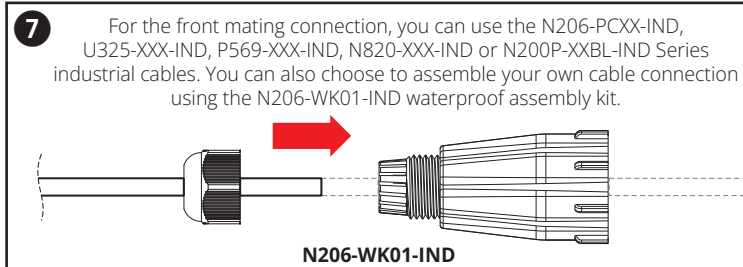
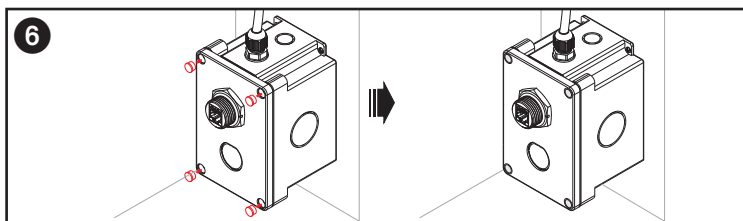
2. Industrial Bulkhead Coupler Installation (N206-BC01-IND, U325-000-IND, P569-000-FF-IND and N455-BC01-IND)

Note: USB, HDMI and fiber solutions are also available. Screwdriver not included. Additional tools may be required to remove knockouts.



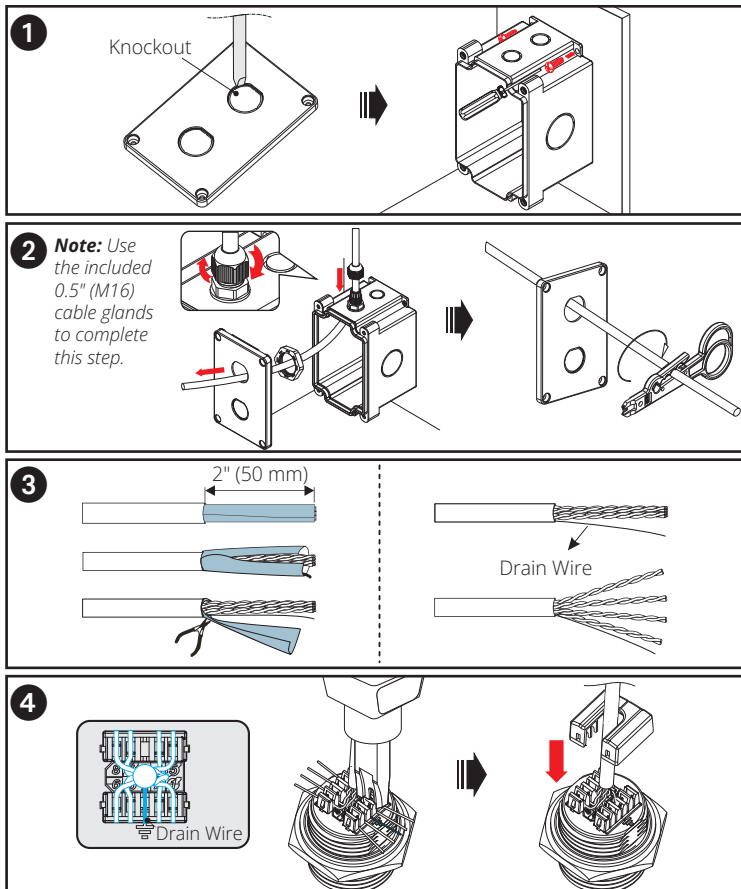
2. Industrial Bulkhead Coupler Installation

(N206-BC01-IND, U325-000-IND, P569-000-FF-IND and N455-BC01-IND)

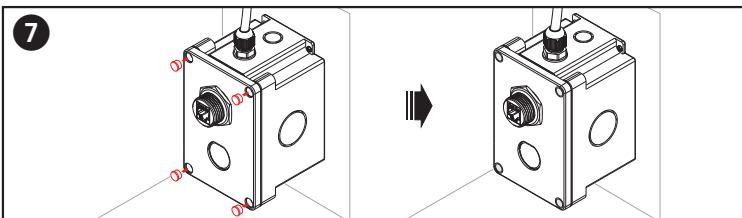
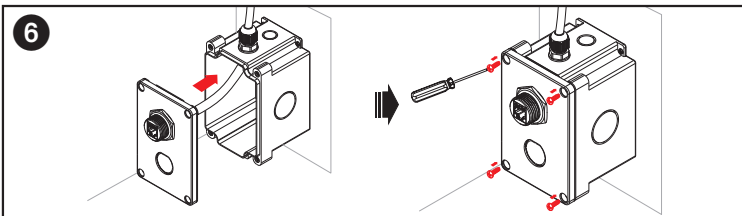
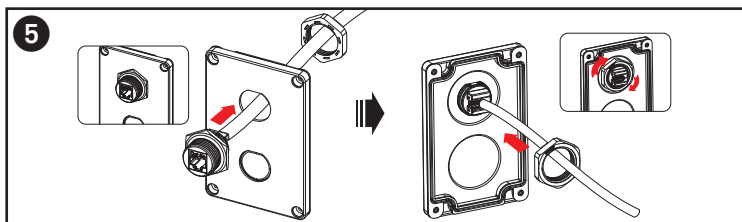


3. Industrial Keystone Jack Installation (N206-KJ01-IND)

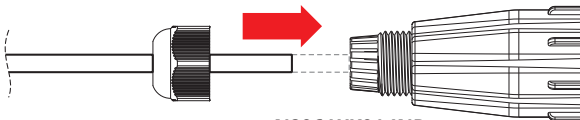
Note: Additional tools may be required to remove knockouts.



3. Industrial Keystone Jack Installation (N206-KJ01-IND)

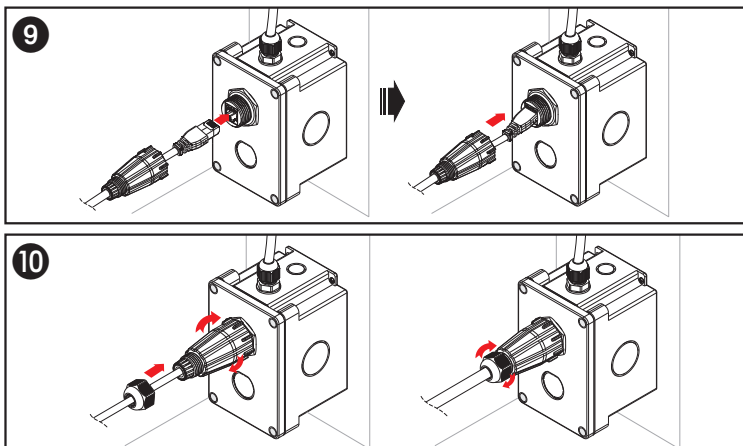


- 8 For the front mating connection, you can use N206-PCXX-IND Series industrial cables. You can also choose to assemble your own cable connection using the N206-WK01-IND waterproof assembly kit.



N206-WK01-IND

3. Industrial Keystone Jack Installation (N206-KJ01-IND)



4. Product Combinations for IP44 and IP68 Protection

Note: For IP68 environments (submersion in up to 1.5 m of water for 60 minutes), the N206-SB01-IND should be used (not the N206-FPXX-IND). IP68 rating of up to 1.5 m of water for up to 60 minutes is based on manufacturer's guarantee.

Faceplate	Bulkhead Couplers/ Keystone Jacks	Industrial Patch Cables/ Industrial USB 3.0 Cables		Waterproof Cable Assembly Kit
N206-FPXX-IND	N206-BC01-IND (Bulkhead Coupler)	N206-PCXX-IND (Cat5e/6 Cable)	or	N206-WK01-IND
N206-FPXX-IND	N206-KJ01-IND (Keystone Jack)	N206-PCXX-IND (Cat5e/6 Cable)		N206-WK01-IND
N206-FPXX-IND	N206-BC01-IND (Bulkhead Coupler)	N200P-XXX-IND (Cat6 4PPoE Cables)		N206-WK01-IND
N206-FPXX-IND	U325-000-IND (USB 3.0 Coupler)	U325-XXX-IND (USB 3.0 Cable)		
N206-FPXX-IND	P569-000-FF-IND (4K HDMI Coupler)	P569-XXX-IND/ P569-XXX-IND2 (4K HDMI Cable)		
N206-FPXX-IND	N455-BC01-IND (LC/LC Fiber Coupler)	N820-XXM-IND (LC/LC Fiber Cable)		
Surface Mount Box	Bulkhead Couplers/ Keystone Jacks	Industrial Patch Cables/ Industrial USB 3.0 Cables		Waterproof Cable Assembly Kit
N206-SB01-IND	N206-BC01-IND (Bulkhead Coupler)	N206-PCXX-IND (Cat5e/6 Cable)	or	N206-WK01-IND
N206-SB01-IND	N206-KJ01-IND (Keystone Jack)	N206-PCXX-IND (Cat5e/6 Cable)		N206-WK01-IND
N206-SB01-IND	N206-BC01-IND (Bulkhead Coupler)	N200P-XXX-IND (Cat6 4PPoE Cables)		N206-WK01-IND
N206-SB01-IND	U325-000-IND (USB 3.0 Coupler)	U325-XXX-IND (USB 3.0 Cable)		
N206-SB01-IND	P569-000-FF-IND (4K HDMI Coupler)	P569-XXX-IND/ P569-XXX-IND2 (4K HDMI Cable)		
N206-SB01-IND	N455-BC01-IND (LC/LC Fiber Coupler)	N820-XXM-IND (LC/LC Fiber Cable)		

Warranty

Limited Lifetime Warranty

Eaton warrants this product, if used in accordance with all applicable instructions, to be free from original defects in material and workmanship for life. If the product should prove defective in material or workmanship within that period, we will, subject to the foregoing terms and limitations, replace the product, in its sole discretion, as your exclusive remedy for our breach of the limited warranty. Visit TrippLite.Eaton.com/support/product-returns before sending any equipment back for repair.

THIS LIMITED WARRANTY DOES NOT APPLY TO NORMAL WEAR OR TO DAMAGE RESULTING FROM ACCIDENT, MISUSE, ABUSE OR NEGLIGENCE. Eaton MAKES NO WARRANTIES OTHER THAN THE LIMITED WARRANTY EXPRESSLY SET FORTH HEREIN. EXCEPT TO THE EXTENT PROHIBITED BY APPLICABLE LAW, ALL IMPLIED WARRANTIES, INCLUDING ALL WARRANTIES OF MERCHANTABILITY OR FITNESS FOR A PARTICULAR PURPOSE, ARE HEREBY DISCLAIMED; AND THIS WARRANTY EXPRESSLY EXCLUDES ALL INCIDENTAL AND CONSEQUENTIAL DAMAGES. (Some states do not allow limitations or exclusion of implied warranties, and some states do not allow the exclusion or limitation of incidental or consequential damages, so the above limitations or exclusions may not apply to you. This limited warranty gives you specific legal rights, and you may have other rights which vary from jurisdiction to jurisdiction).

WARNING: The individual user should take care to determine prior to use whether this device is suitable, adequate, or safe for the use intended. Because individual applications are subject to great variation, we make no representation or warranty as to the suitability or fitness of these devices for any specific application.

WEEE Compliance Information for Customers and Recyclers (European Union)



Under the Waste Electrical and Electronic Equipment (WEEE) Directive and implementing regulations, when customers buy new electrical and electronic equipment from Eaton, they are entitled to:

- Send old equipment for recycling on a one-for-one, like-for-like basis (this varies depending on the country)
- Send the new equipment back for recycling when this ultimately becomes waste

Use of this equipment in life support applications where failure of this equipment can reasonably be expected to cause the failure of the life support equipment or to significantly affect its safety or effectiveness is not recommended.

Eaton has a policy of continuous improvement. Specifications are subject to change without notice. Photos and illustrations may differ slightly from actual products.



Powering Business Worldwide

Eaton
1000 Eaton Boulevard
Cleveland, OH 44122
United States
Eaton.com

© 2025 Eaton
All Rights Reserved
Publication No.
25-03-041 / 93-3773_RevG
March 2025

Eaton is a registered trademark.

All trademarks are property
of their respective owners.