



## NEW PRODUCT ANNOUNCEMENT!

### Rolling TV Carts for Flat-Panel Displays

# Rolling A/V Carts Bring the Message Directly to the Audience



Model: DMCS60100XX

*The video source can travel with the display or interactive whiteboard to provide an all-in-one A/V solution.*

Audio/video communications become more powerful when the message travels to the audience. Tripp Lite's new mobile carts for flat-panel displays combine a height-adjustable TV stand with the convenience and placement versatility of a rolling cart. This results in improved sight lines and greater audience engagement.

Rolling carts instantly transform any area into a state-of-the-art demonstration space or temporary digital signage display. The carts are ideal for schools, hospitals, businesses and exhibition centers where changing needs call for flexibility in a screen's location. Rolling carts also allow audio/video resources to be shared within a facility, providing a cost-saving alternative to purchasing multiple displays.

### Key Benefits

#### EASY MOBILITY

- Swivel casters are designed for smooth rolling through doorways and over thresholds, even on carpeted surfaces; locking feature keeps the cart in position while at rest

#### BROAD COMPATIBILITY

- Models are available for flat-panel displays from 32" to 100"; DMCS60100XX can accommodate interactive whiteboards, including Promethean models
- VESA-compliant mounting brackets provide no-hassle display installation

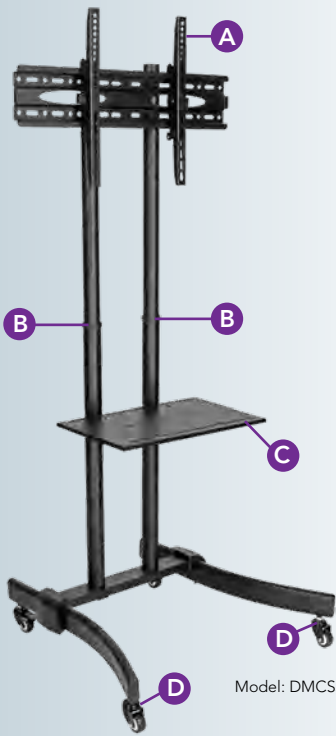
#### ADJUSTABLE VIEWING

- The height of the display can be raised or lowered to improve viewing angles
- The DMCS3270XP enables the screen to be rotated for portrait or landscape viewing; DMCS3770L and DMCS60100XX have tilt adjustments to help eliminate glare

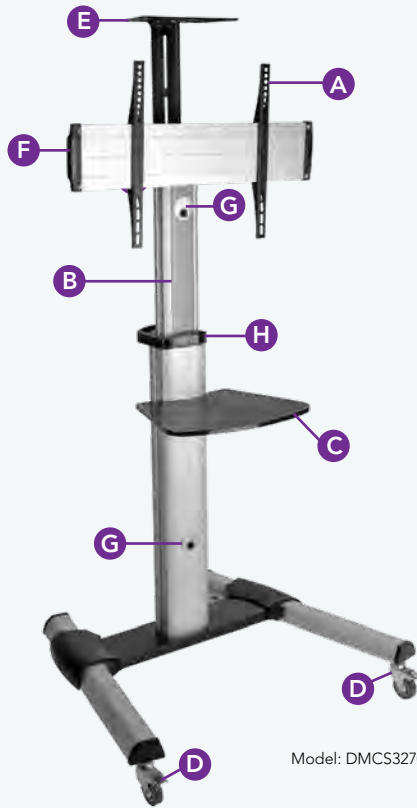
#### SPACE FOR COMPONENTS

- Lower shelf holds a laptop, tablet, Blu-ray™ player or other A/V device
- DMCS3270XP and DMCS60100XX have an upper shelf for a webcam or small projector
- DMCS3270XP and DMCS60100XX have cable management openings to reduce cord clutter for a clean, professional look

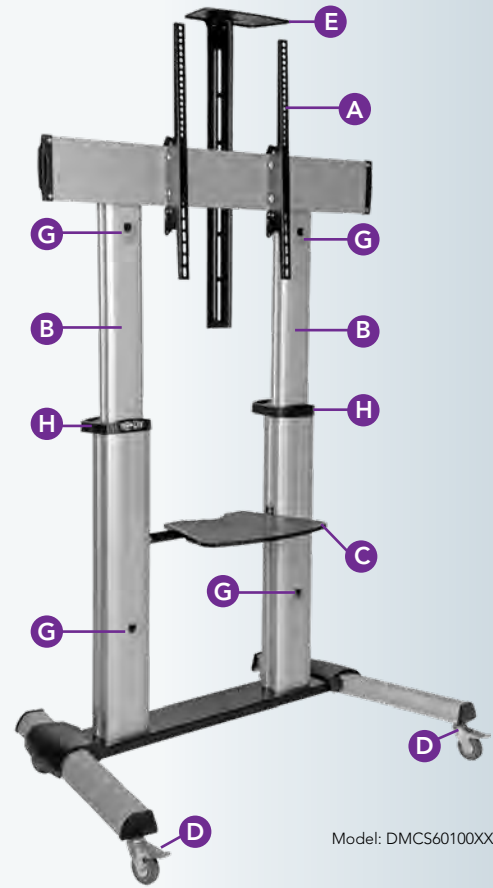
# Feature Focus



Model: DMCS3770L



Model: DMCS3270XP



Model: DMCS60100XX

- A** VESA-Compliant Mounting Bracket
- B** Height-Adjustable Support Column(s)
- C** Lower Shelf for Laptop or DVD Player
- D** Lockable Casters (Locking Rear Casters on DMCS3770L)

- E** Upper Shelf for Webcam or Projector
- F** 90° Rotatable Mounting Arm
- G** Cable Management Pass-Through Openings
- H** Handle(s) to Guide Movement

## SPECIFICATIONS



Model	DMCS3770L	DMCS3270XP	DMCS60100XX
<b>For Screen Sizes</b>	37" – 70"	32" – 70"	60" – 100"
<b>Max. Weight Capacity</b>	88 lb.	150 lb.	220 lb.
<b>Interactive Board Compatible</b>	—	—	Yes, including Promethean models
<b>VESA Mounting Patterns</b>	200 x 200, 300 x 300, 400 x 200, 400 x 400, 600 x 400	200 x 200, 300 x 300, 400 x 200, 400 x 400, 600 x 400	200 x 200, 300 x 300, 400 x 200, 400 x 400, 600 x 400, 800 x 400, 800 x 600, 1000 x 600
<b>Lower Shelf</b>	Yes	Yes	Yes
<b>Top Shelf</b>	—	Yes	Yes
<b>Cable Management</b>	—	Yes	Yes
<b>Display Height Adjustability</b>	52.5" – 67.5"	47" – 81.5"	47" – 65"
<b>Viewing Orientation</b>	Landscape	Landscape or Portrait	Landscape
<b>Primary Construction</b>	Aluminum, Steel	Aluminum, Steel	Aluminum, Steel
<b>Color</b>	Black	Black, Silver	Black, Silver
<b>Unit Dimensions (H x W x D)*</b>	67.5" x 27.6" x 27.6"	81.5" x 32.6" x 27.6"	91.1" x 44.8" x 27.6"
<b>Unit Weight</b>	35.5 lb.	46.2 lb.	61 lb.
<b>Warranty</b>	5 Years	5 Years	5 Years

\* Height listed is maximum height.

Learn more about Tripp Lite's full line of display mounts at [www.tripp-lite.com](http://www.tripp-lite.com).



1111 W. 35th Street, Chicago, IL 60609  
773.869.1773 • [www.tripp-lite.com](http://www.tripp-lite.com)