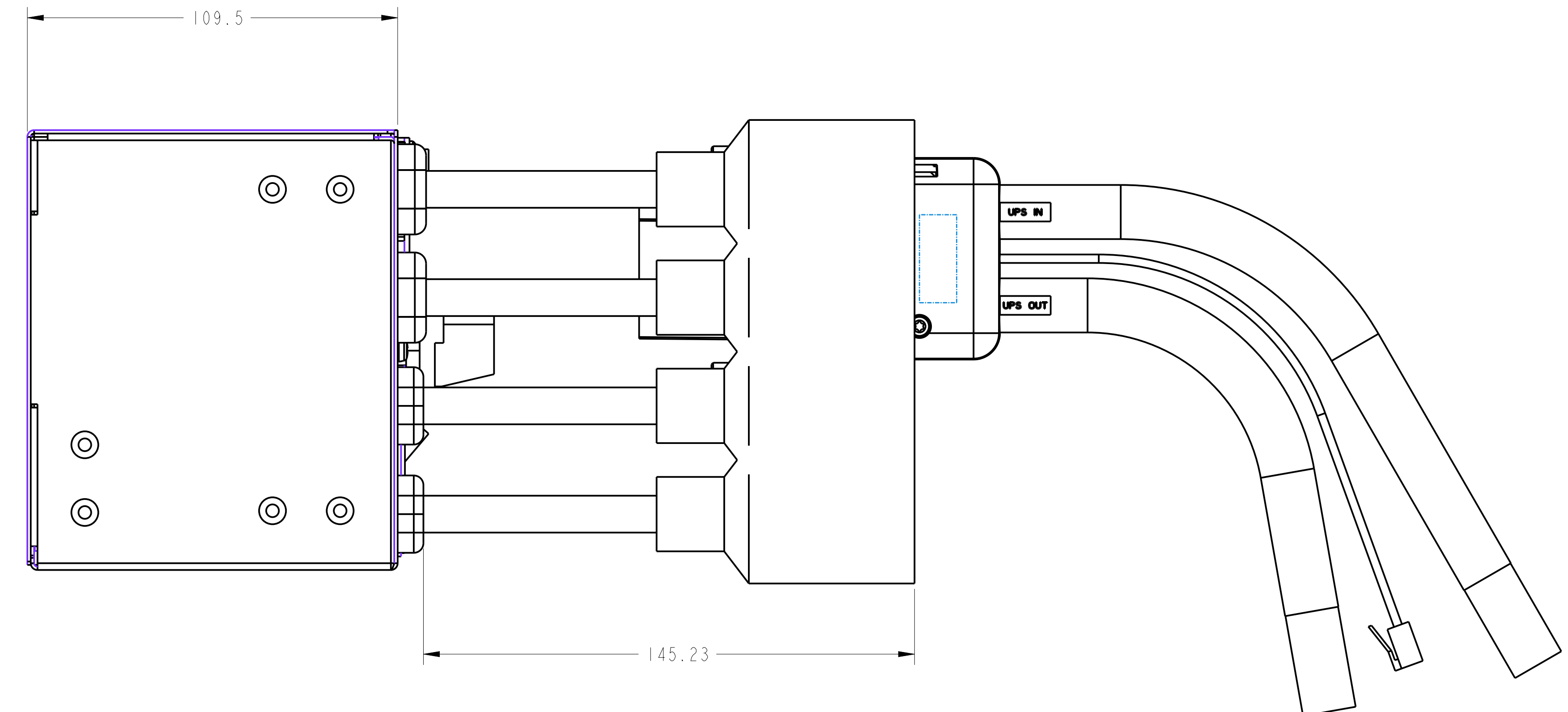
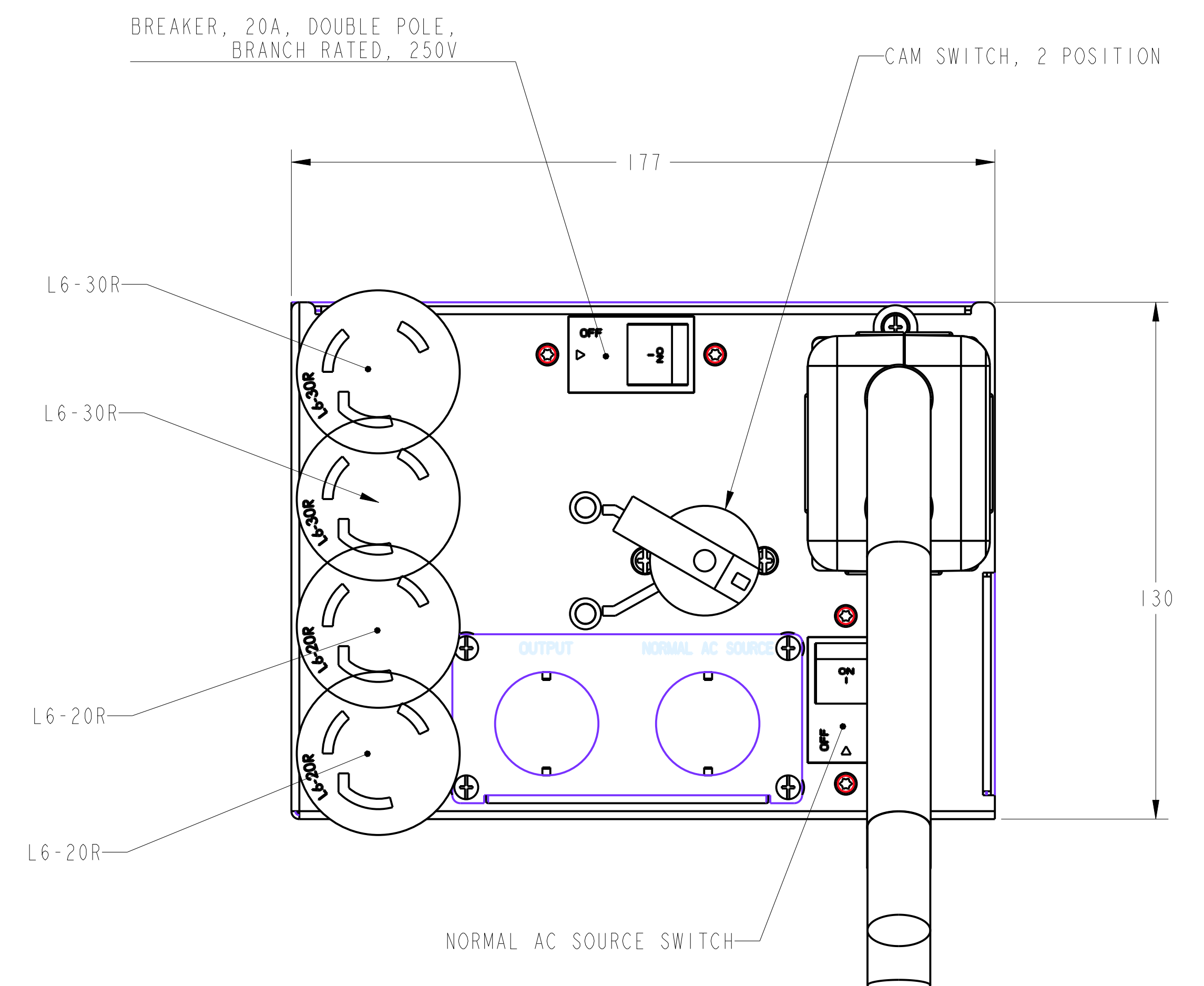


BACK VIEW



SIDE VIEW



FRONT VIEW

NOTES:  
 1. DIMENSIONS ARE FOR REFERENCE ONLY.  
 2. DIMENSIONS: MM