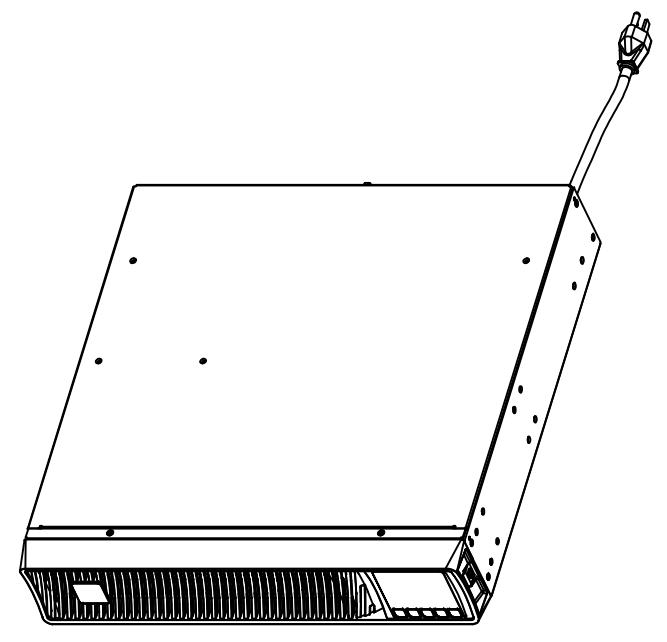
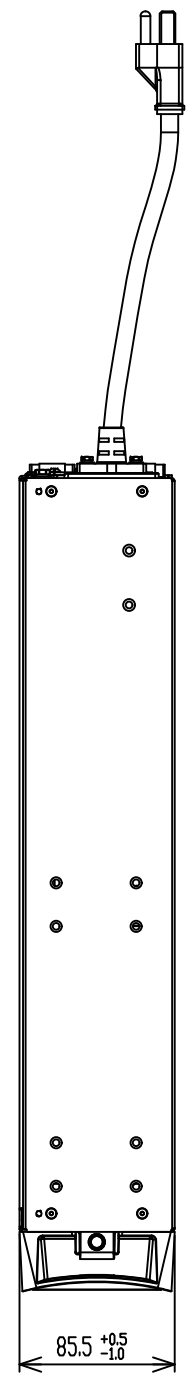
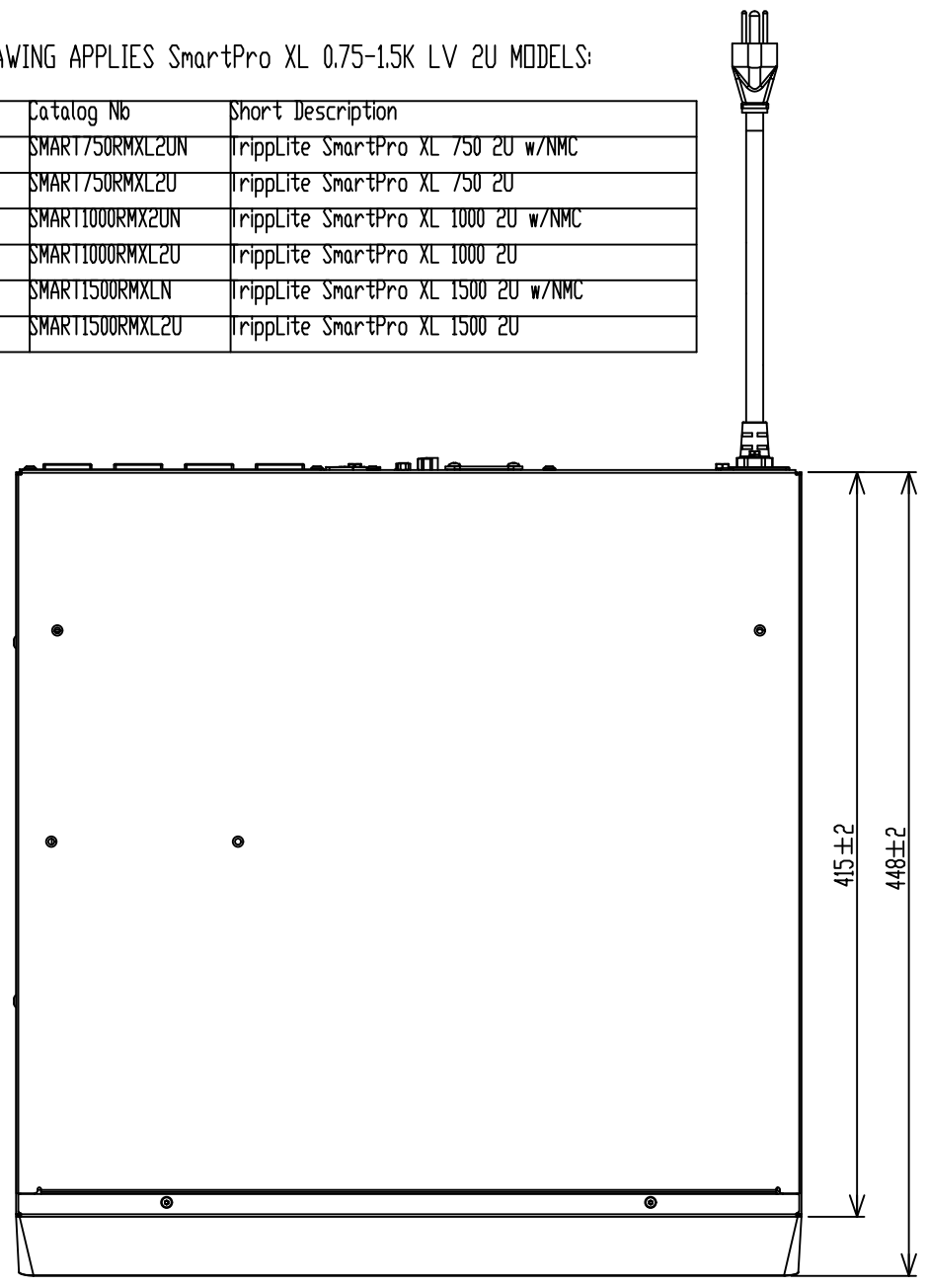


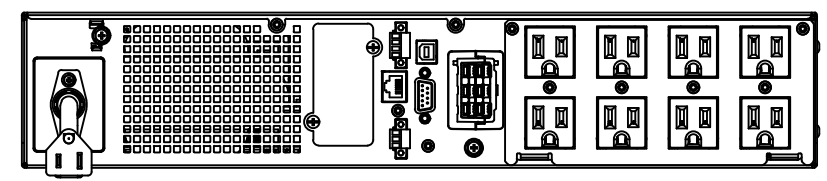
REV	DATE	ECD-CODE	MODIFICATION	PREPARED	APPROVED
00	27-May-2022		FIRST ISSUE	Sheng,Xiangyu	Yi,Xiangyong

Notes:  
THIS DRAWING APPLIES SmartPro XL 0.75-1.5K LV 2U MODELS:

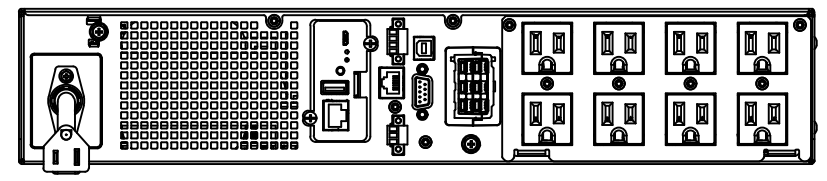
MGF ID	Catalog No	Short Description
9210-3142	SMART750RML2UN	rippLite SmartPro XL 750 2U w/NMC
9210-3143	SMART750RML2U	rippLite SmartPro XL 750 2U
9210-5172	SMART1000RML2UN	rippLite SmartPro XL 1000 2U w/NMC
9210-5173	SMART1000RML2U	rippLite SmartPro XL 1000 2U
9210-6175	SMART1500RMLN	rippLite SmartPro XL 1500 2U w/NMC
9210-6176	SMART1500RML2U	rippLite SmartPro XL 1500 2U



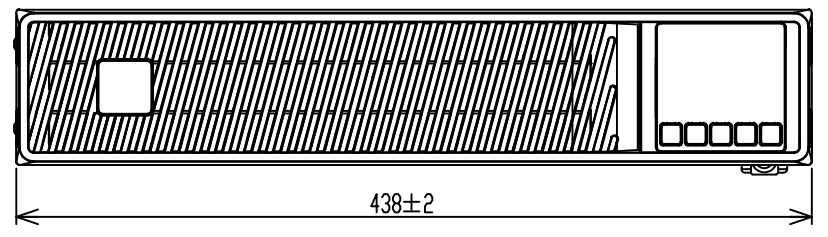
SCALE 0.150



Rear Panel View



Netpack Model Rear Panel View



METRIC		EATON CORPORATION		
DIMENSIONS ARE IN MILLIMETERS AFTER PLATING, DIMENSIONS AND TOLERANCES IN ACCORDANCE WITH ASME Y14.5M-1994. SEE NOTES FOR TOLERANCES.				
DESCRIPTION: SmartPro XL 0.75-1.5K LV 2U model				
ORIGINATED:	Sheng,Xiangyu	27-May-2022	ECD:	NAME:
MODIFIED:				REVISION:
CHECKED:			DOCUMENT TYPE:	SmartPro XL 0.75-1.5K LV
SAFETY:			PRO-E DRAWING	STATE:
APPROVED:	Yi,Xiangyong	27-May-2022		SHEET:
				1 OF 1

EATON CORPORATION - CONFIDENTIAL AND PROPRIETARY  
NOTICE TO PERSONS RECEIVING THIS DOCUMENT AND/OR TECHNICAL INFORMATION  
THIS DOCUMENT, INCLUDING THE DRAWING AND INFORMATION CONTAINED THEREIN, IS CONFIDENTIAL AND IS THE EXCLUSIVE PROPERTY OF EATON CORPORATION, AND IS HEREBY ON LOAN AND SUBJECT TO RECALL BY EATON AT ANY TIME. BY TAKING POSSESSION OF THIS DOCUMENT, THE RECIPIENT ACKNOWLEDGES AND AGREES THAT THIS DOCUMENT CANNOT BE USED IN ANY MANNER ADVERSE TO THE INTERESTS OF EATON AND THAT NO PORTION OF THIS DOCUMENT MAY BE COPIED OR OTHERWISE REPRODUCED WITHOUT THE PRIOR WRITTEN CONSENT OF EATON. IN THE CASE OF CONFLICTING CONTRACTUAL PROVISIONS, THIS NOTICE SHALL GOVERN THE STATUS OF THIS DOCUMENT.