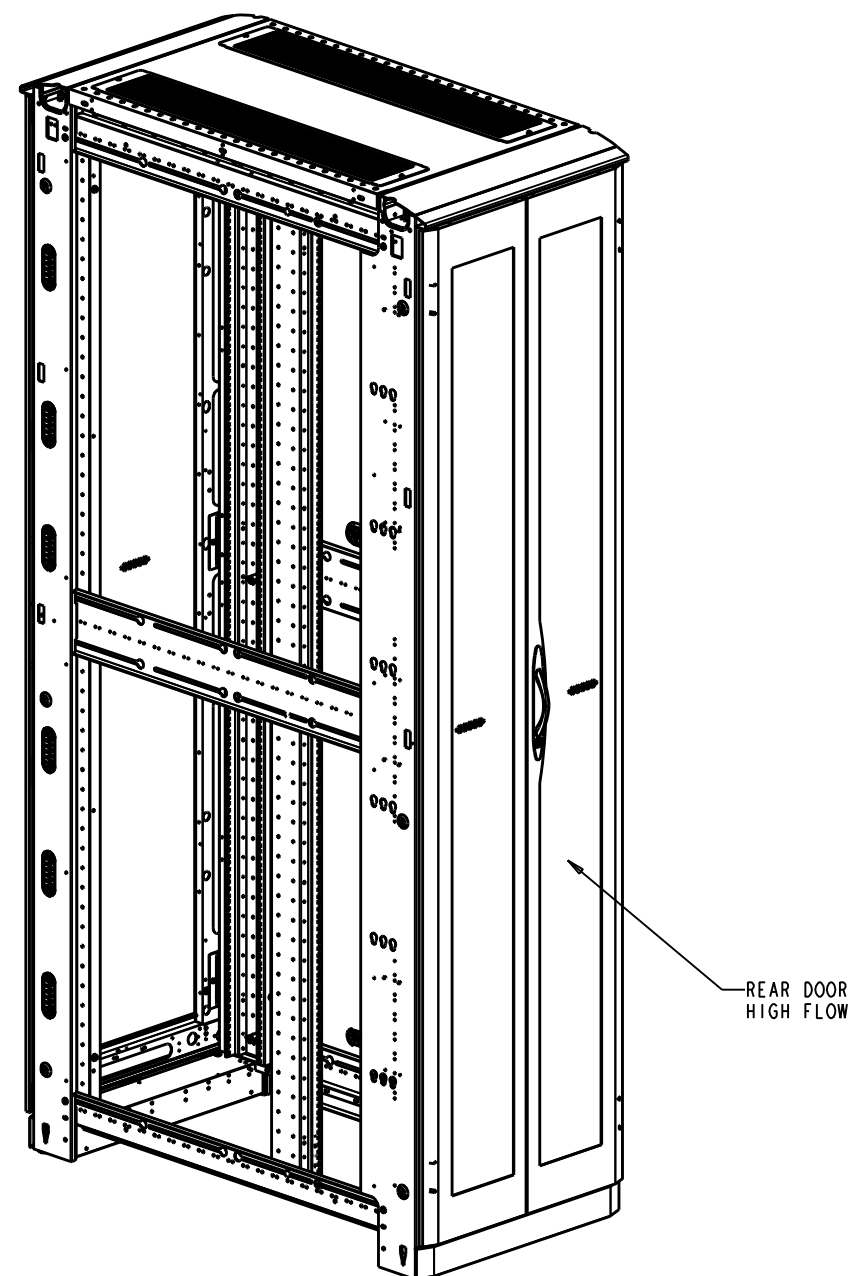



FRONT ISO

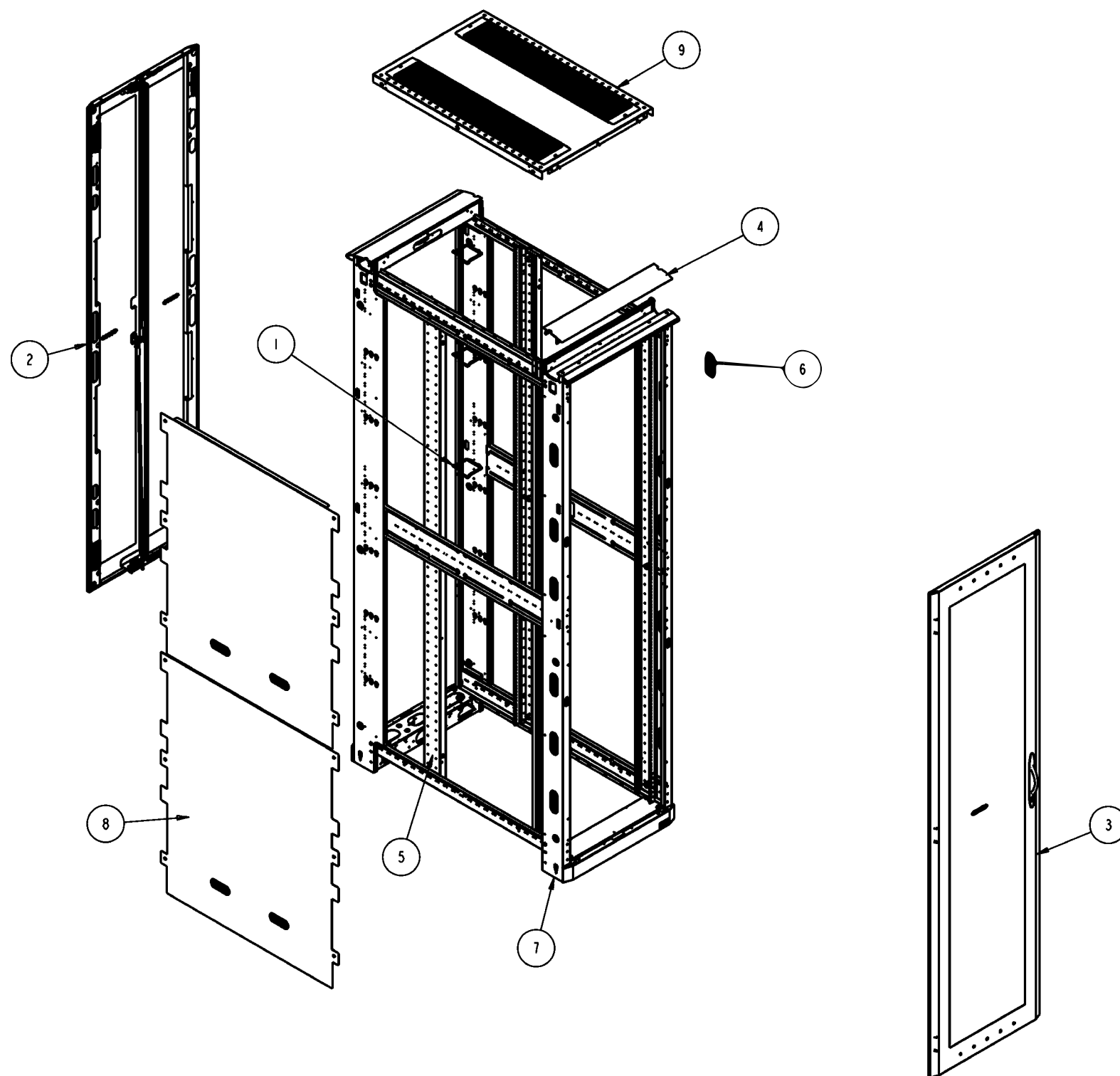


REAR ISO

SHIPPING WEIGHT: 425 LBS

REV	REV. DATE	REV'D BY	PRODUCTION RELEASE	ECN OR EPR NUMBER
-	-	-	PRODUCTION RELEASE	EPR113222
-	-	-	CURRENT REVISION DESCRIPTION	-

DRAWN IN THIRD ANGLE PROJECTION	TOLERANCE UNLESS SPEC'D .XXX ± .02 .<XXX ± .005 < ± .1 ALL DIMENSIONS IN INCHES	CAGE NUMBER: 81824	CUSTOMER: EATON DIR FLD SALES	
		DESIGN MGMT SITE: Worcester	DES. BY DNeison 09/13/11 DRWN. BY DNeison 09/13/11	
		MATERIAL:	PROD. GRP 50 - Paramount	CONFIG - 51U X 24W X 48D PARAMOUNT, RACK HYGIENE, 2 EPDU
		MATERIAL FINISH:	COLOR: - CRS GA: N/A	SHEET: 1 OF 8
		SPEC #:	OTHER: -	REV DATE: -
				D PMT512448H REV -



ASSEMBLY WIRING NOTE:

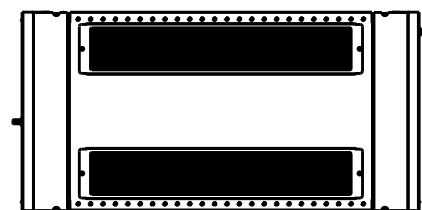
- GROUND ALL DOORS, RAILS, TOP AND DIVIDER PANELS.
USE GROUNDING LANYARDS FROM KIT P/N GRNDPMT.
USE STANDARD W/L GROUND POINTS FOR ATTACHMENT AREAS.

ITEM	TYPE	DOCUMENT #	REV	DESCRIPTION	QTY
10	SA	GRNDPMT	-	GROUND KIT - PARAMOUNT	1
9	MA	PMTNWP2448	-	ASSEMBLY - TOP PANEL, 24W X 45D	1
8	MA	PMTJVD5148S	-	DIVIDER PANEL ASY - 51U X 45D	1
7	MA	PMTFRM512445	-	WLD - FRAME, 51U X 24W X 45D	1
6	MA	JWOVLGROM	A	GROMMET - OVAL 1.5WX4L	12
5	MA	JRM10006	B	RACK MOUNT RAILS - 51U	1
4	MA	JFTK24_4596	B	FRAME TRIM KIT - 24"W	1
3	MA	JDHF9624L	-	DOOR, HIGH FLOW	1
2	MA	JDDHF9624	-	ASSEMBLY - SPLIT DOOR, HIGH FLOW	1
1	MA	CMDRNR032U	-	D-RING KIT, 2U	1

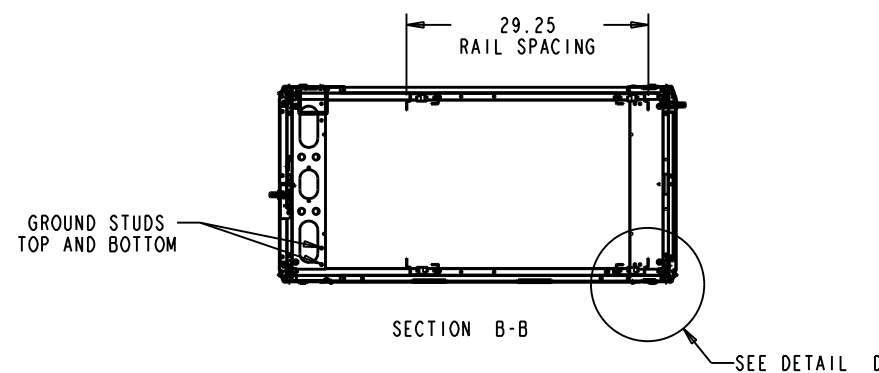
DRAWN IN THIRD ANGLE PROJECTION TOLERANCE UNLESS SPEC'D .XX ± .02 .XXX ± .005 < ± .1 ALL DIMENSIONS IN INCHES	CAGE NUMBER: 81824	CUSTOMER: EATON DIR FLD SALES	©2024 Eaton. All rights reserved.
	DESIGN MGMT SITE: Worcester	DES. BY: D Nelson 09/13/11	
	MATERIAL:	DRWN. BY: s.n 09/13/11	
	MATERIAL FINISH:	PROD. GRP: gramount	
		COLOR: -	CONFIG - 51U X 24W X 48D PARAMOUNT, RACK HYGIENE, 2 EPDU
		CRS GA: N/A	SHEET: 2 OF 8
		OTHER: -	REV DATE: -
		SPEC #:	D PMT512448H REV -

REV	REV. DATE	REV'D BY	PRODUCTION RELEASE	ECN OR EPR NUMBER
-	-	-	PRODUCTION RELEASE	EPRI13222
			CURRENT REVISION DESCRIPTION	

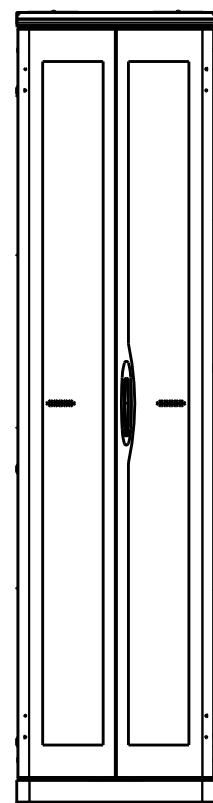
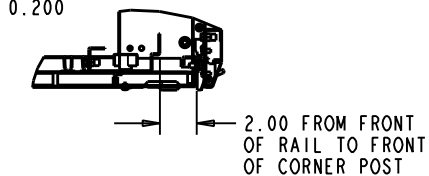
RELEASE STATUS
Production



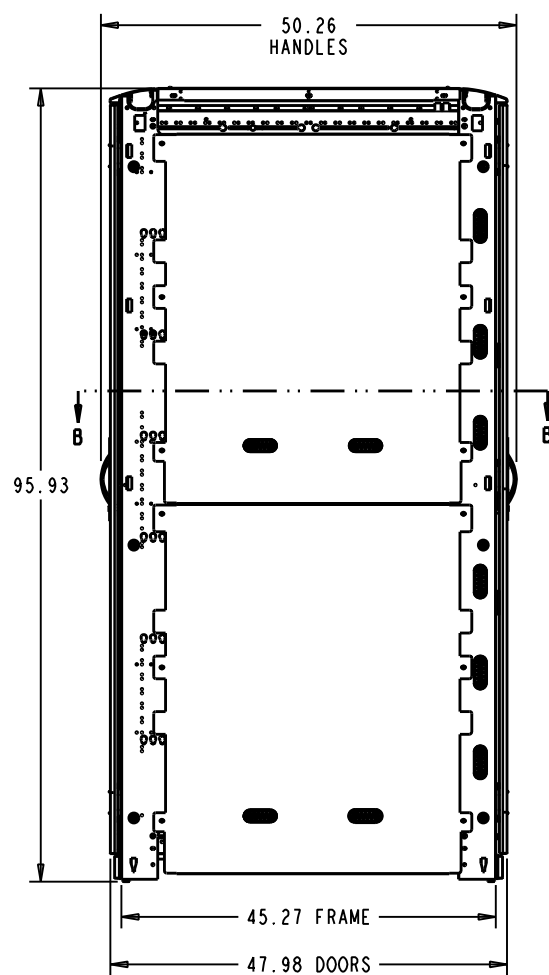
TOP



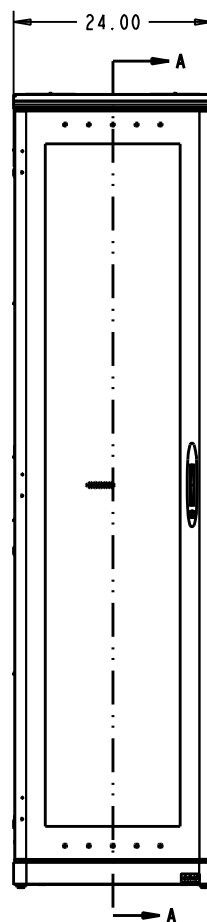
DETAIL D
SCALE 0.200



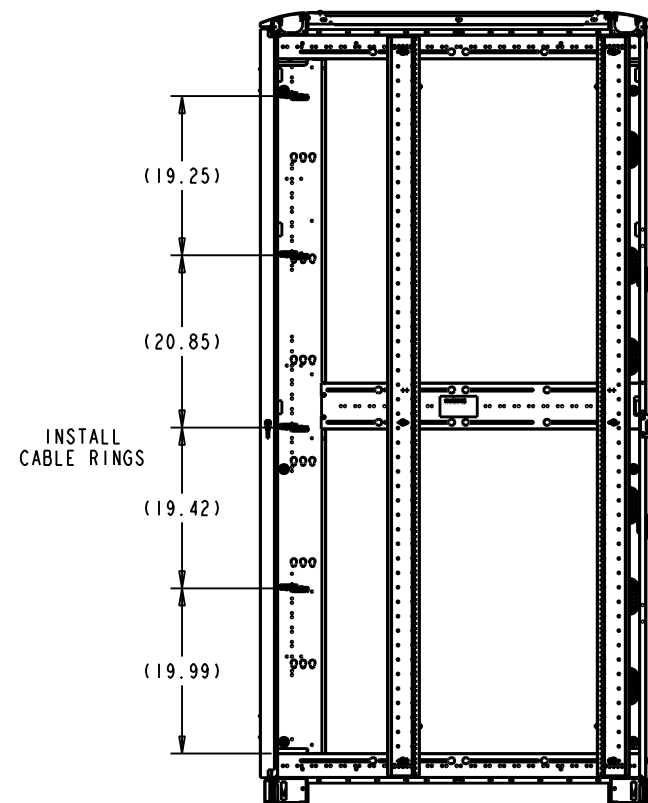
REAR



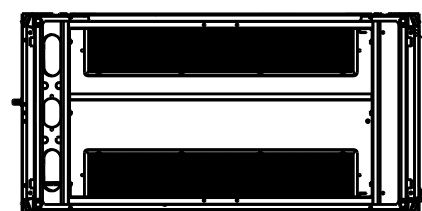
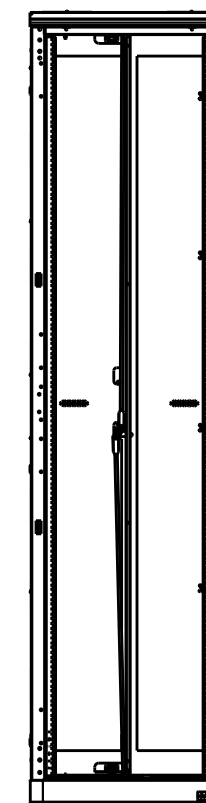
LEFT SIDE



FRONT



SECTION A-A



BOTTOM

LEVELING FEET

REV	REV. DATE	REV'D BY	PRODUCTION RELEASE	ECN OR EPR NUMBER
-	-	-	PRODUCTION RELEASE	EPR113222
-	-	-	CURRENT REVISION DESCRIPTION	-

DRAWN IN THIRD ANGLE PROJECTION	TOLERANCE UNLESS SPEC'D .XX ± .02 .XXX ± .005 < ± .1"	CAGE NUMBER:	CUSTOMER: EATON DIR FLD SALES	
		81824	DES. BY D Nelson 09/13/11	
ALL DIMENSIONS IN INCHES	MATERIAL:	DESIGN MGMT SITE:	DRWN. BY D Nelson 09/13/11	CONFIG - 51U X 24W X 48D PARAMOUNT, RACK HYGIENE, 2 EPDU
		Worcester	PROD. GRP 50 - Paramount	
		MATERIAL FINISH:	COLOR: -	SHEET: 3 OF 8
		SPEC #:	CRS GA: N/A	REV DATE: -
			OTHER: -	D PMT512448H REV -

©2014 Eaton. All rights reserved.