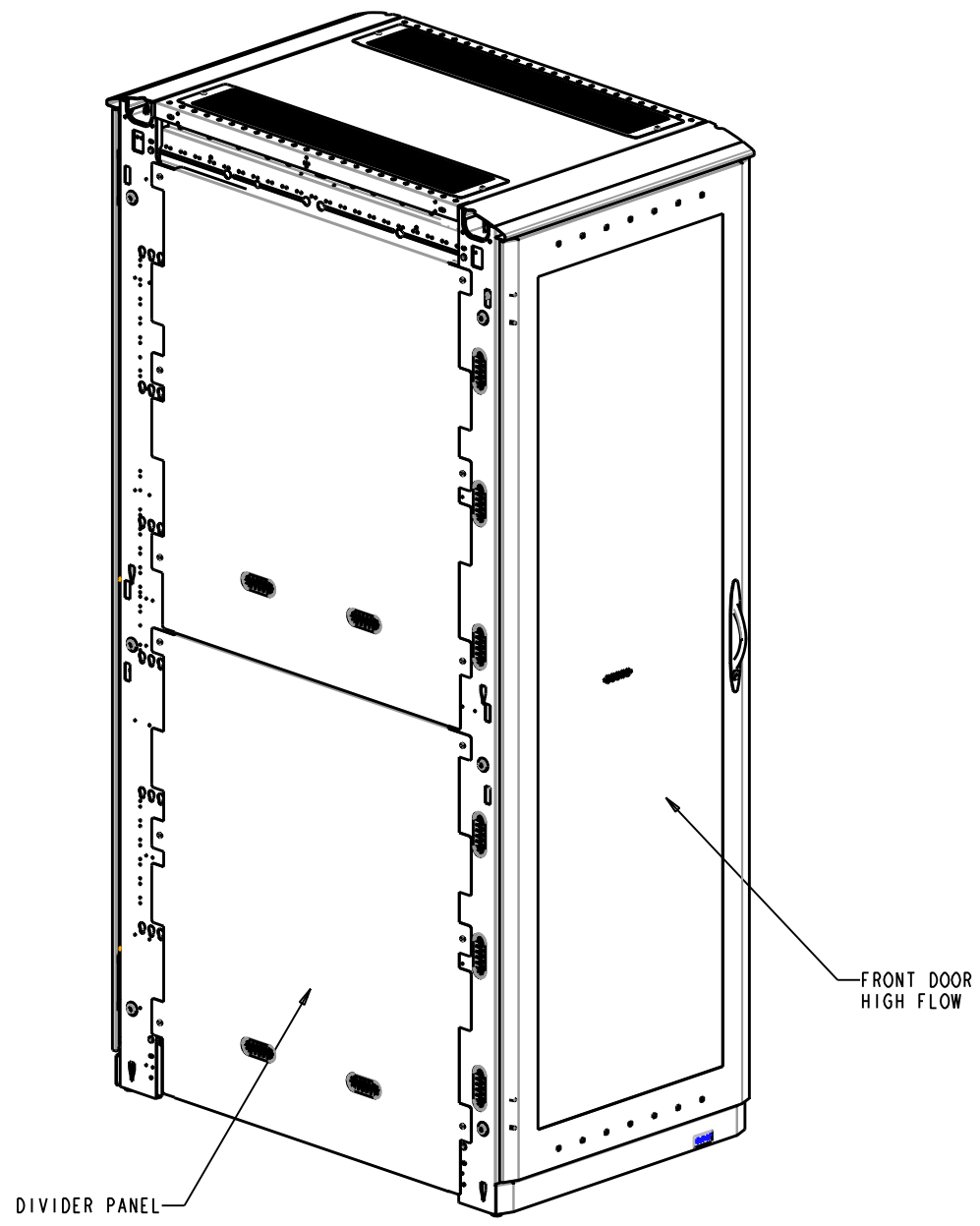
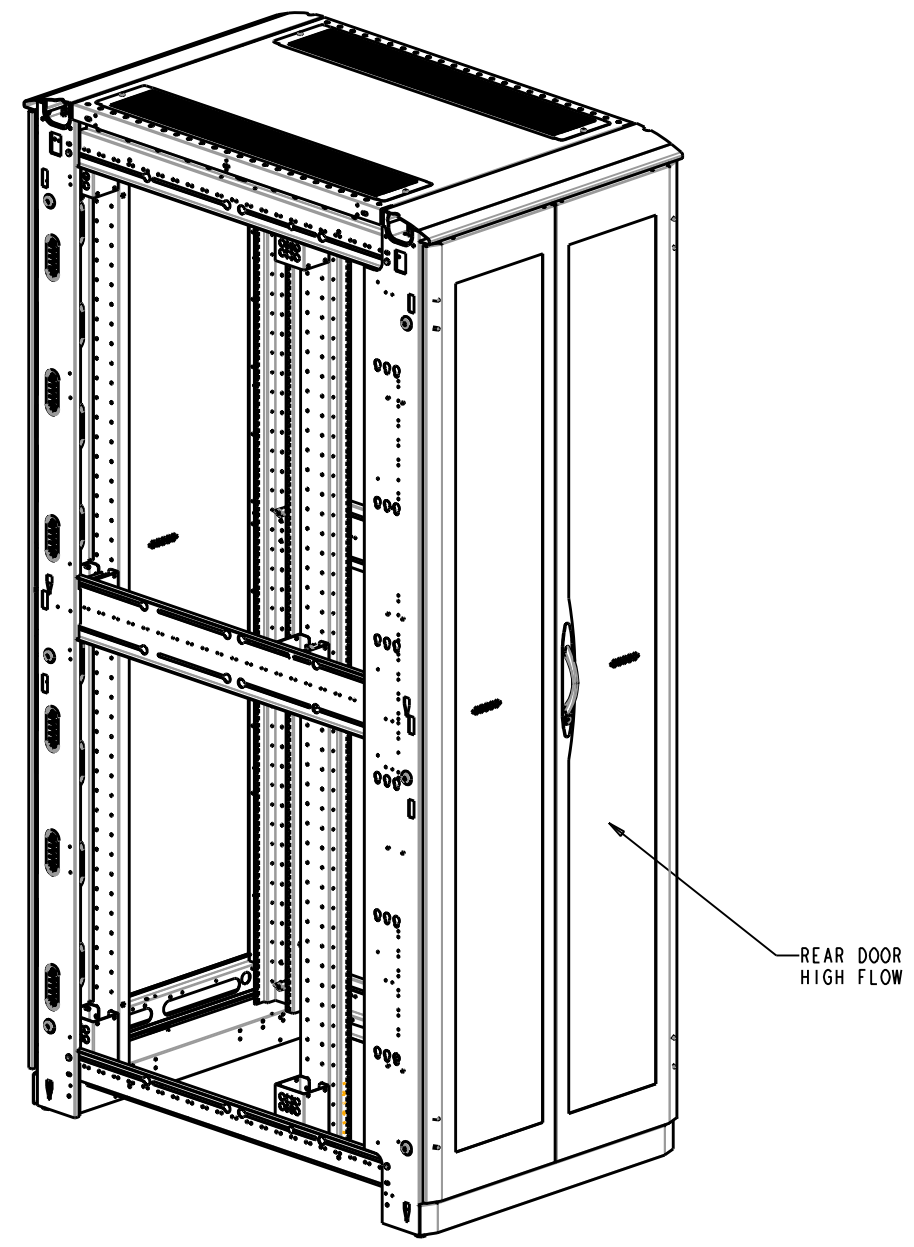


RELEASE STATUS  
Production



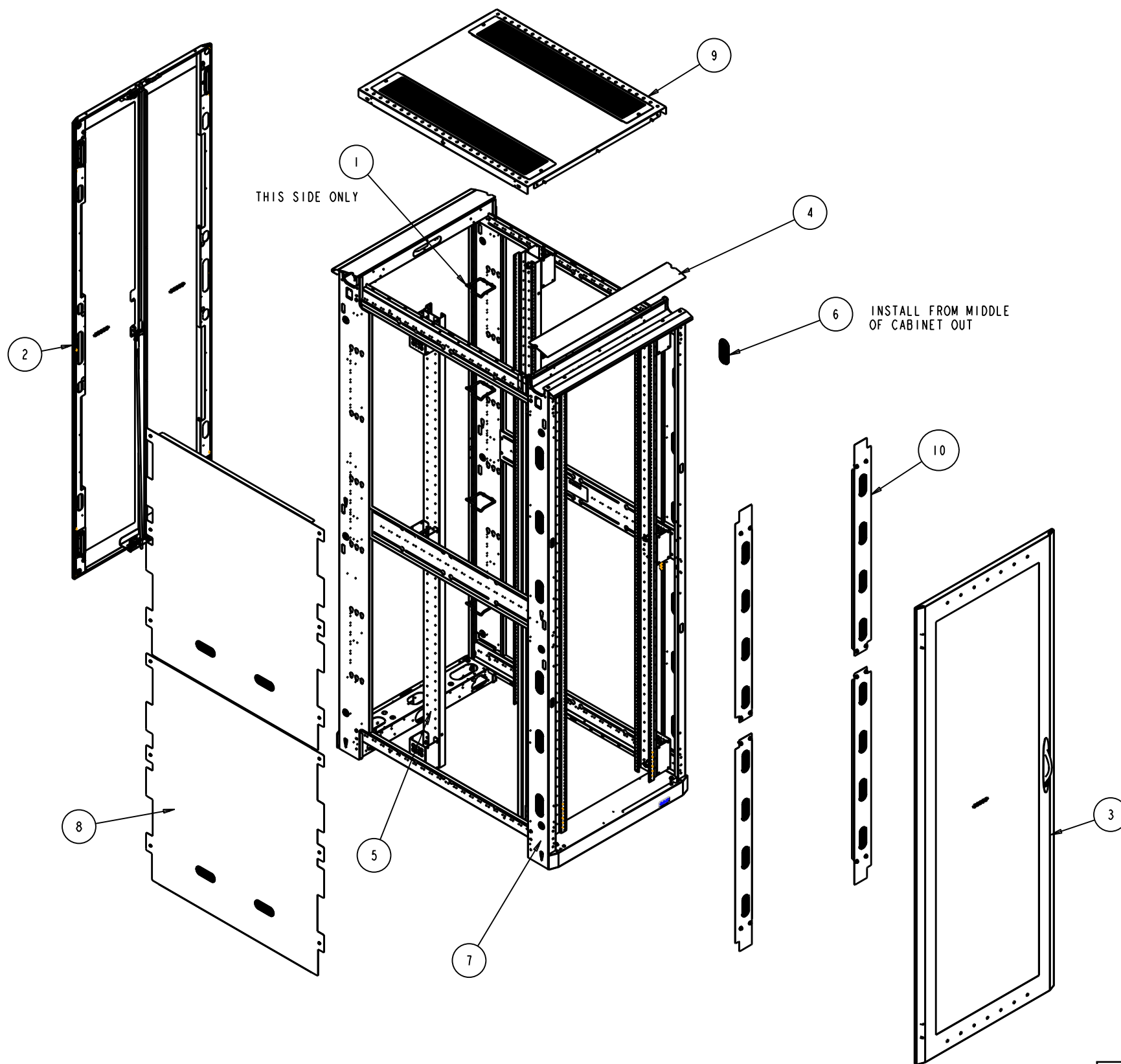
FRONT ISO



REAR ISO

SHIPPING WEIGHT: 370 LBS

<p>THIS DRAWING CONTAINS PROPRIETARY INFORMATION AND IS LOANED SUBJECT TO RETURN UPON DEMAND AND UPON THE EXPRESS CONDITION THAT IT WILL NOT BE USED IN ANY WAY DETRIMENTAL TO THE INTEREST OF EATON CORPORATION</p>				<p>CAGE NUMBER: <b>81824</b></p>		<p>CUSTOMER: EATON CHANNEL DES. BY: MTroio 04/16/12 DRWN. BY: MTroio 04/16/12</p>			
<p>DESIGN MGMT SITE: Worcester</p>				<p>PROD. GRP: 50 - Paramount</p>		<p>COLOR: -</p>			
<p>MATERIAL:</p>				<p>CRS GA: N/A</p>		<p>OTHER: -</p>		<p>SHEET: 1 OF 8</p>	
<p>MATERIAL FINISH:</p>				<p>SPEC #:</p>		<p>REV DATE: 04/16/12</p>		<p>D   PMT483048H   REV   -</p>	
<p>REV: - REV. DATE: 04/16/12 REV'D BY: MTroio PRODUCTION RELEASE</p>				<p>ECN OR EPR NUMBER: EPRI13430</p>		<p>DRAWN IN THIRD ANGLE PROJECTION</p>		<p>TOLERANCE UNLESS SPEC'D .XX ± .02 .XXX ± .005 ALL DIMENSIONS IN INCHES</p>	



ASSEMBLY WIRING NOTE:

- GROUND ALL DOORS, RAILS, TOP AND DIVIDER PANELS. USE GROUNDING LANYARDS FROM KIT P/N GRNDPMT. USE STANDARD W/L GROUND POINTS FOR ATTACHMENT AREAS.

ITEM	TYPE	DOCUMENT #	REV	DESCRIPTION	QTY
11	SA	GRNDPMT	-	GROUND KIT - PARAMOUNT	1
10	MA	PMTVDP4830	-	VERTICAL BLANKING PANELS	1
9	MA	PMTNWP3048	-	ASSEMBLY - TOP PANEL, 30W X 48D	1
8	MA	PMTJVD4848S	-	DIVIDER PANEL ASY - 48U X 48D	1
7	MA	PMTFRM483045	-	WLD-FRAME, 91H X 30W X 45D	1
6	MA	JWOVLGROM	A	GROMMET - OVAL 1.5WX4L	12
5	MA	JRR48CMSO	-	RACK MOUNT REDUCER RAILS - 48U	1
4	MA	JFTK30	1	FRAME TRIM KIT - 30"W	1
3	MA	JDHF9130L	-	DOOR, HIGH FLOW	1
2	MA	JDDHF9130	-	ASSEMBLY - SPLIT DOOR, HIGH FLOW	1
1	MA	CMDRNR032U	-	D-RING KIT, 2U	1

THIS DRAWING CONTAINS PROPRIETARY INFORMATION AND IS LOANED SUBJECT TO RETURN UPON DEMAND AND UPON THE EXPRESS CONDITION THAT IT WILL NOT BE USED IN ANY WAY DETRIMENTAL TO THE INTEREST OF EATON CORPORATION

DRAWN IN THIRD ANGLE PROJECTION

TOLERANCE UNLESS SPEC'D  
 .XX ± .02  
 .XXX ± .005  
 < ± .1"  
 ALL DIMENSIONS IN INCHES

CAGE NUMBER: 81824  
 CUSTOMER: EATON CHANNEL  
 DES. BY: MTroio 04/16/12  
 DRWN. BY: MTroio 04/16/12  
 DESIGN MGMT SITE: Worcester  
 PROD. GRP: 50 - Paramount  
 COLOR: -  
 CRS GA: N/A  
 OTHER: -  
 MATERIAL: -  
 MATERIAL FINISH: -  
 SPEC #: -

**EATON**

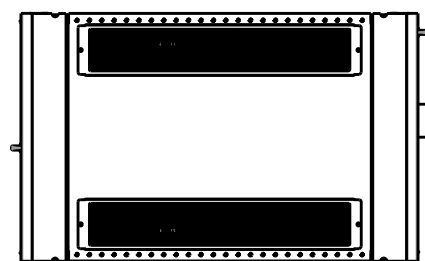
CONFIG - 48U X 30W X 48D  
 PARAMOUNT, RACK HYGIENE

SHEET: 2 OF 8  
 REV DATE: 04/16/12

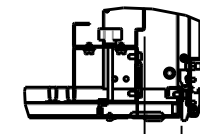
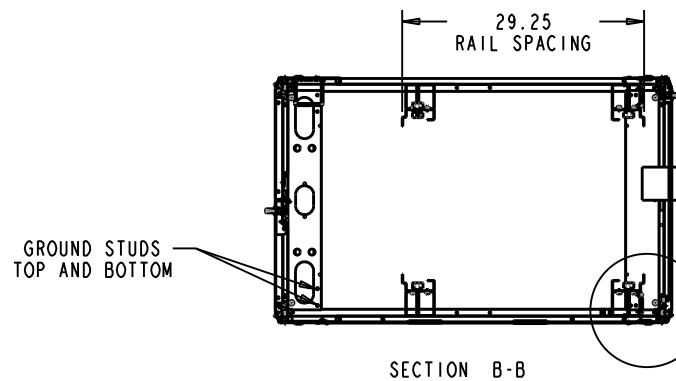
D PMT483048H REV -

REV	REV. DATE	REV'D BY	CURRENT REVISION DESCRIPTION	ECN OR EPR NUMBER
-	04/16/12	MTroio	PRODUCTION RELEASE	EPRI13430

RELEASE STATUS  
Production



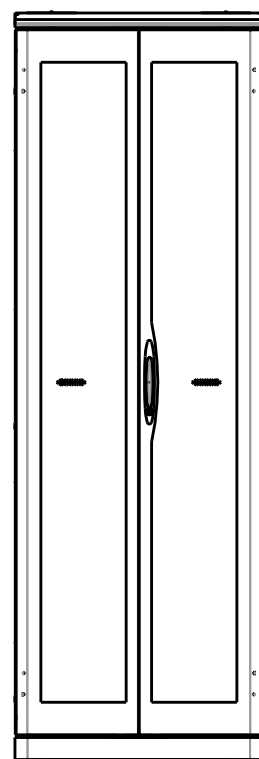
TOP



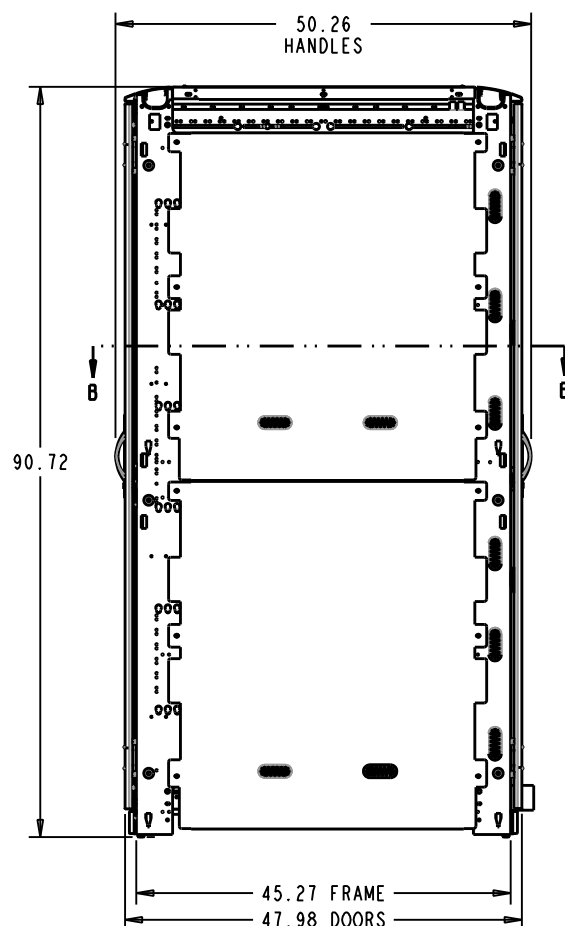
DETAIL D  
SCALE 0.200

2.00 FROM FRONT  
OF RAIL TO FRONT  
OF CORNER POST

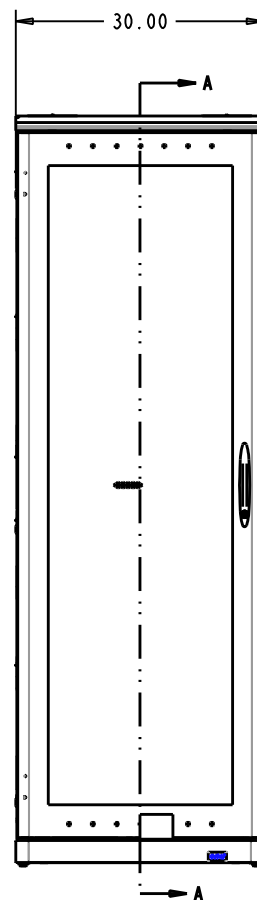
SEE DETAIL D



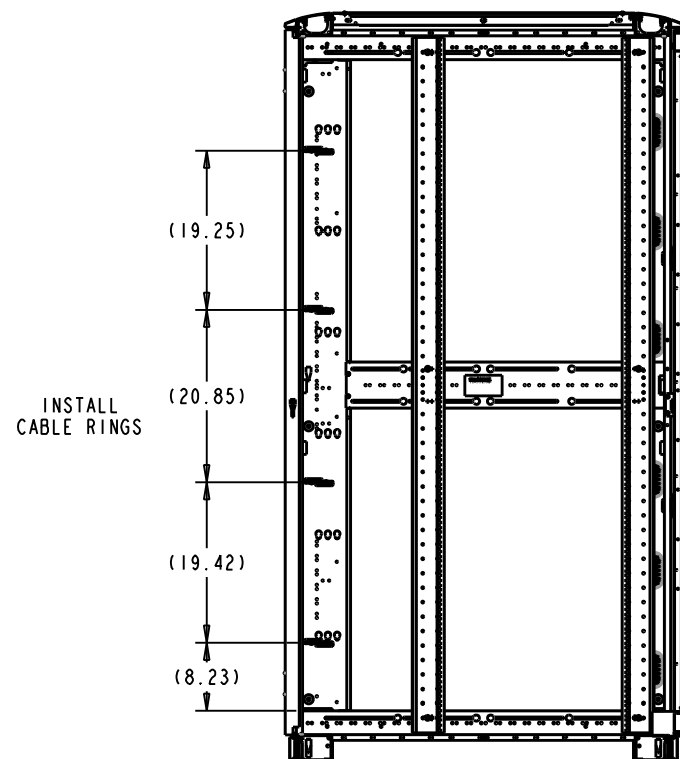
REAR



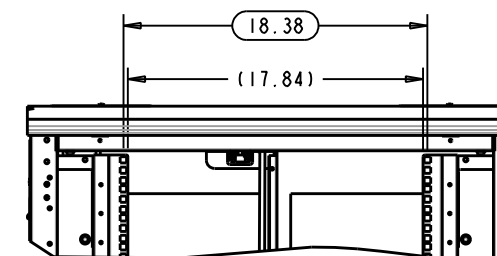
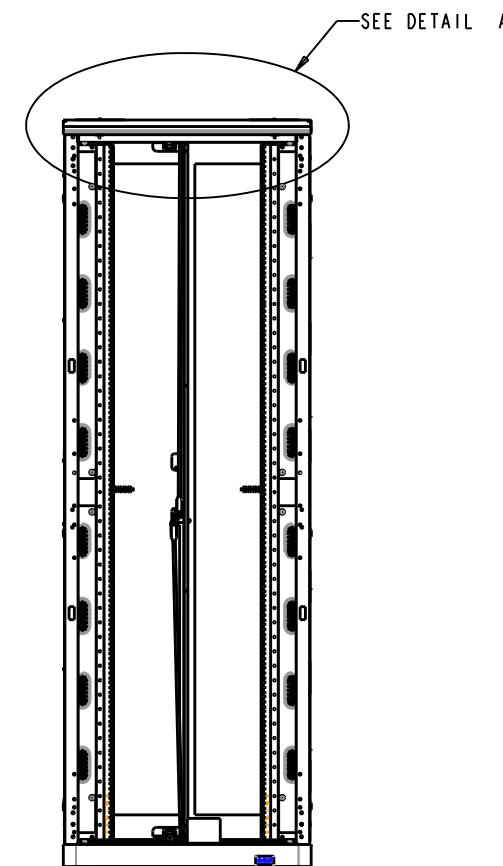
LEFT SIDE



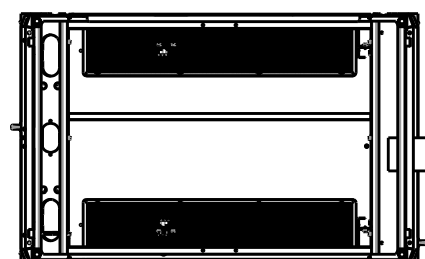
FRONT



SECTION A-A



DETAIL A  
SCALE 0.180



BOTTOM

LEVELING FEET

THIS DRAWING CONTAINS PROPRIETARY INFORMATION AND IS LOANED SUBJECT TO RETURN UPON DEMAND AND UPON THE EXPRESS CONDITION THAT IT WILL NOT BE USED IN ANY WAY DETRIMENTAL TO THE INTEREST OF EATON CORPORATION  DRAWN IN THIRD ANGLE PROJECTION 	CAGE NUMBER: 81824		CUSTOMER: EATON CHANNEL		
	DESIGN MGMT SITE: Worcester		DES. BY: MTroio	04/16/12	
	MATERIAL: -		DRWN. BY: MTroio	04/16/12	
	MATERIAL FINISH: -		PROD. GRP: 50 - Paramount		
TOLERANCE UNLESS SPEC'D: .xxx ± .02, .xxx ± .005, <math>\leq \pm 1^\circ</math>		COLOR: -		CONFIG - 48U X 30W X 48D	
ALL DIMENSIONS IN INCHES		CRS GA: N/A		PARAMOUNT, RACK HYGIENE	
- 04/16/12 MTroio PRODUCTION RELEASE		OTHER: -		SHEET: 3 OF 8	
REV REV. DATE REV'D BY CURRENT REVISION DESCRIPTION		SPEC # -		REV DATE: 04/16/12	
EPR113430 ECN OR EPR NUMBER		D PMT483048H		REV -	

-	04/16/12	MTroio	PRODUCTION RELEASE	EPR113430
REV	REV. DATE	REV'D BY	CURRENT REVISION DESCRIPTION	ECN OR EPR NUMBER