

SHIPPING WEIGHT: 358 LBS

REV	REV. DATE	REV'D BY	CURRENT REVISION DESCRIPTION	ECN OR EPR NUMBER
-	04/16/12	MTroio	PRODUCTION RELEASE	EPRI13430

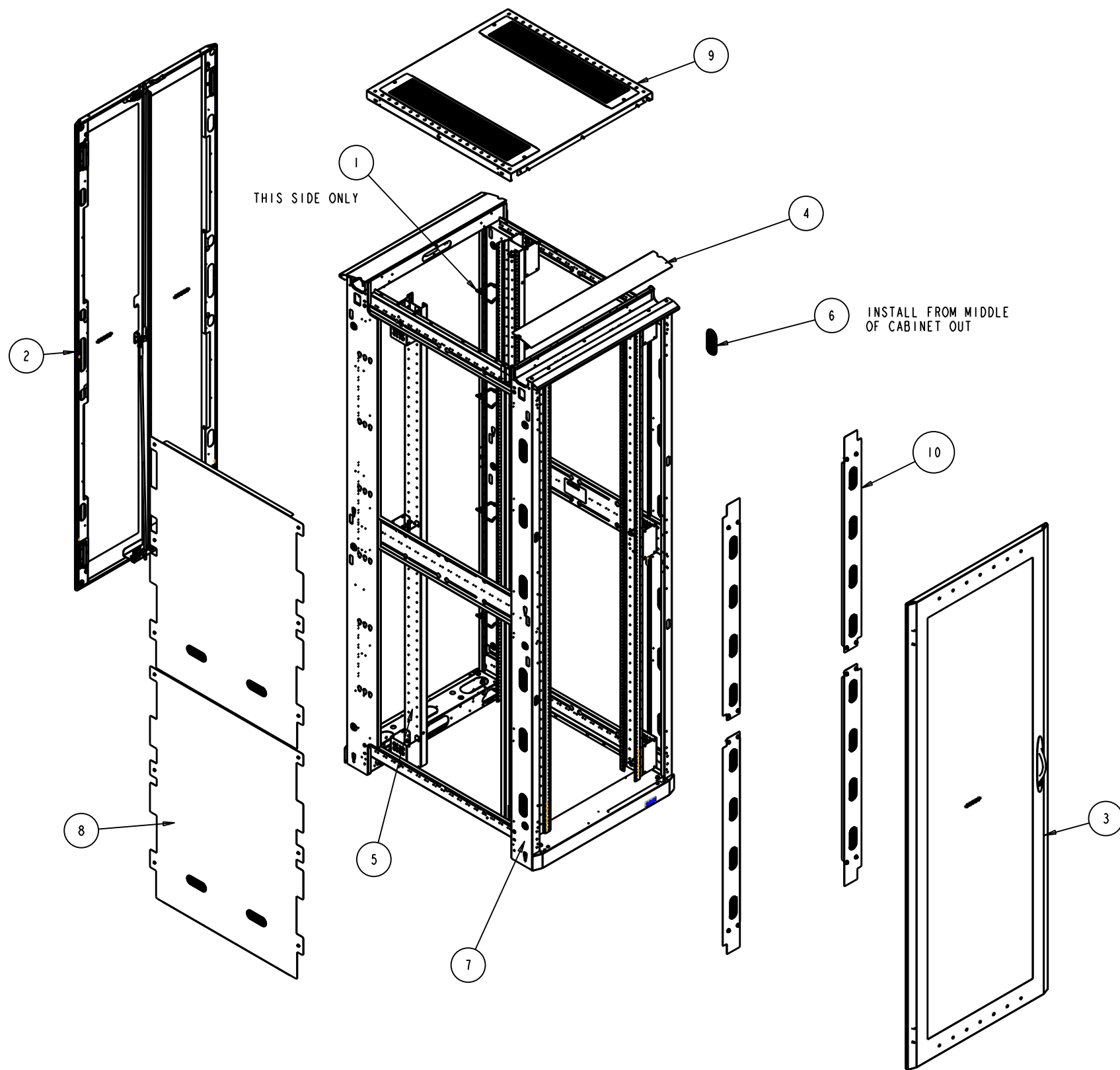
THIS DRAWING CONTAINS PROPRIETARY INFORMATION AND IS LOANED SUBJECT TO RETURN UPON DEMAND AND UPON THE EXPRESS CONDITION THAT IT WILL NOT BE USED IN ANY WAY DETRIMENTAL TO THE INTEREST OF EATON CORPORATION

DRAWN IN THIRD ANGLE PROJECTION

TOLERANCE UNLESS SPEC'D
 .XX ± .02
 .XXX ± .005
 < ± .1
 ALL DIMENSIONS IN INCHES

CAGE NUMBER: 81824	CUSTOMER: EATON CHANNEL
DESIGN MGMT SITE: Worcester	DES. BY: MTroio 04/16/12
MATERIAL:	DRWN. BY: MTroio 04/16/12
MATERIAL FINISH:	PROD. GRP: 50 - Paramount
SPEC #:	COLOR: -
	CRS GA: N/A
	OTHER: -

EATON	
CONFIG - 48U X 30W X 42D PARAMOUNT, RACK HYGIENE	
SHEET: 1 OF 8	REV DATE: 04/16/12
D PMT483042H	REV -



ASSEMBLY WIRING NOTE:

- GROUND ALL DOORS, RAILS, TOP AND DIVIDER PANELS. USE GROUNDING LANYARDS FROM KIT P/N GRNDPMT. USE STANDARD W/L GROUND POINTS FOR ATTACHMENT AREAS.

ITEM	TYPE	DOCUMENT #	REV	DESCRIPTION	QTY
11	SA	GRNDPMT	-	GROUND KIT - PARAMOUNT	1
10	MA	PMTVDP4830	-	VERTICAL BLANKING PANELS	1
9	MA	PMTNWP3042	-	ASSEMBLY - TOP PANEL, 30W X 42D	1
8	MA	PMTJVD4842S	-	DIVIDER PANEL ASY - 48U X 42D	1
7	MA	PMTFRM483040	-	WLD-FRAME, 91H X 30W X 40D	1
6	MA	JWOVLGROM	A	GROMMET - OVAL 1.5WX4L	12
5	MA	JRR48CMSO	-	RACK MOUNT REDUCER RAILS - 48U	1
4	MA	JFTK30	1	FRAME TRIM KIT - 30"W	1
3	MA	JDHF9130L	-	DOOR, HIGH FLOW	1
2	MA	JDDHF9130	-	ASSEMBLY - SPLIT DOOR, HIGH FLOW	1
1	MA	CMDRNR032U	-	D-RING KIT, 2U	1

THIS DRAWING CONTAINS PROPRIETARY INFORMATION AND IS LOANED SUBJECT TO RETURN UPON DEMAND AND UPON THE EXPRESS CONDITION THAT IT WILL NOT BE USED IN ANY WAY DETRIMENTAL TO THE INTEREST OF EATON CORPORATION

DRAWN IN THIRD ANGLE PROJECTION

TOLERANCE UNLESS SPEC'D
 .XX ± .02
 .XXX ± .005
 < ± .1"

ALL DIMENSIONS IN INCHES

CAGE NUMBER: 81824
 CUSTOMER: EATON CHANNEL
 DES. BY: MTroio 04/16/12
 DRWN. BY: MTroio 04/16/12
 DESIGN MGMT SITE: Worcester
 PROD. GRP: 50 - Paramount
 COLOR: -
 CRS GA: N/A
 OTHER: -
 MATERIAL: -
 MATERIAL FINISH: -
 SPEC #: -

EATON

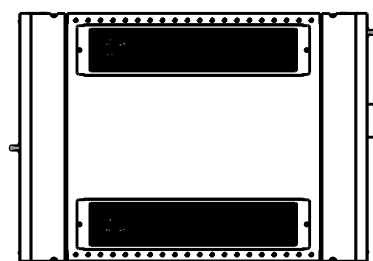
CONFIG - 48U X 30W X 42D
 PARAMOUNT, RACK HYGIENE

SHEET: 2 OF 8
 REV DATE: 04/16/12

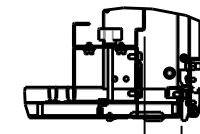
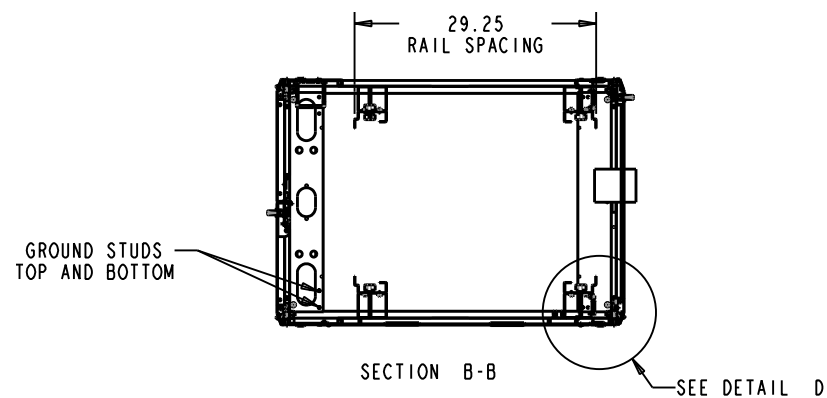
D PMT483042H REV -

REV	REV. DATE	REV'D BY	CURRENT REVISION DESCRIPTION	ECN OR EPR NUMBER
-	04/16/12	MTroio	PRODUCTION RELEASE	EPRI13430

RELEASE STATUS
Production

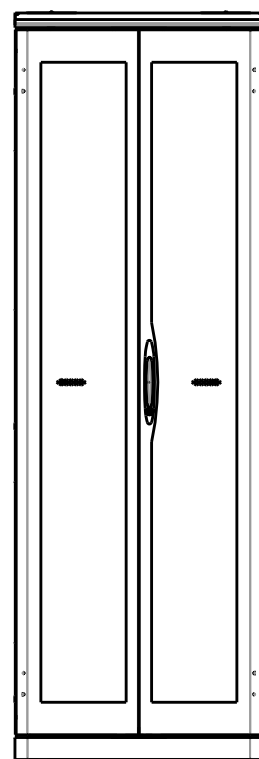


TOP

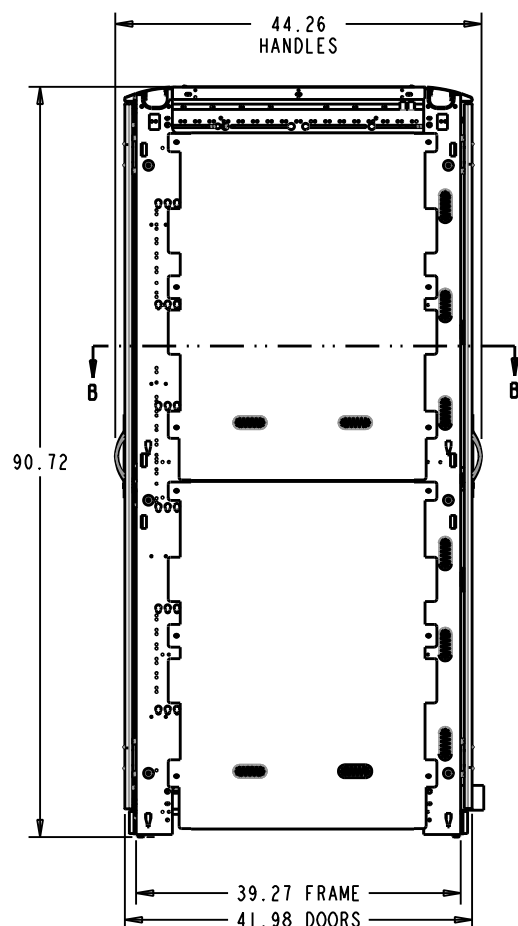


DETAIL D
SCALE 0.200

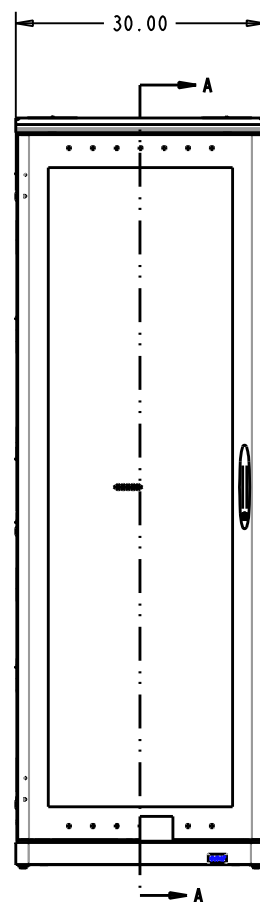
2.00 FROM FRONT
OF RAIL TO FRONT
OF CORNER POST



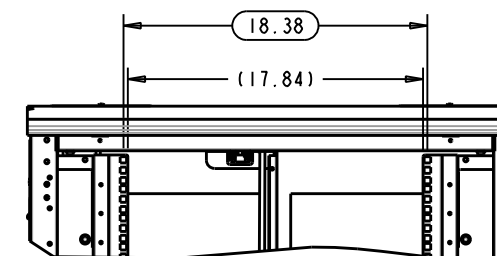
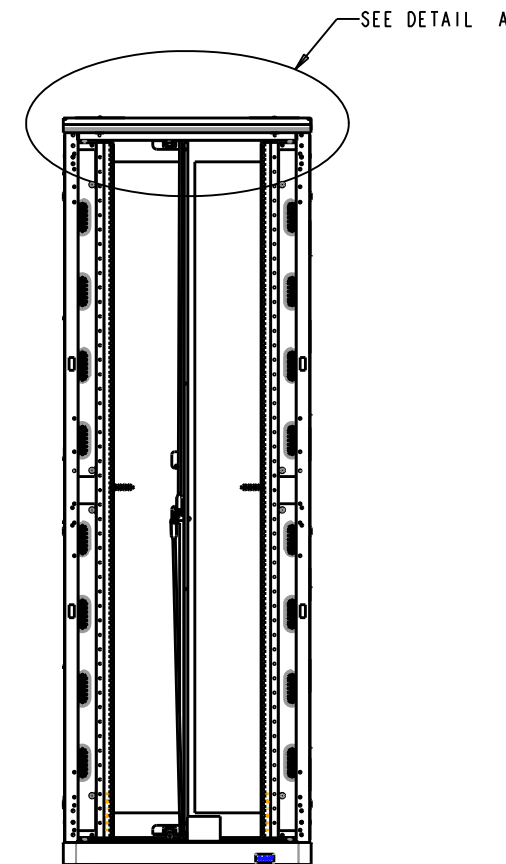
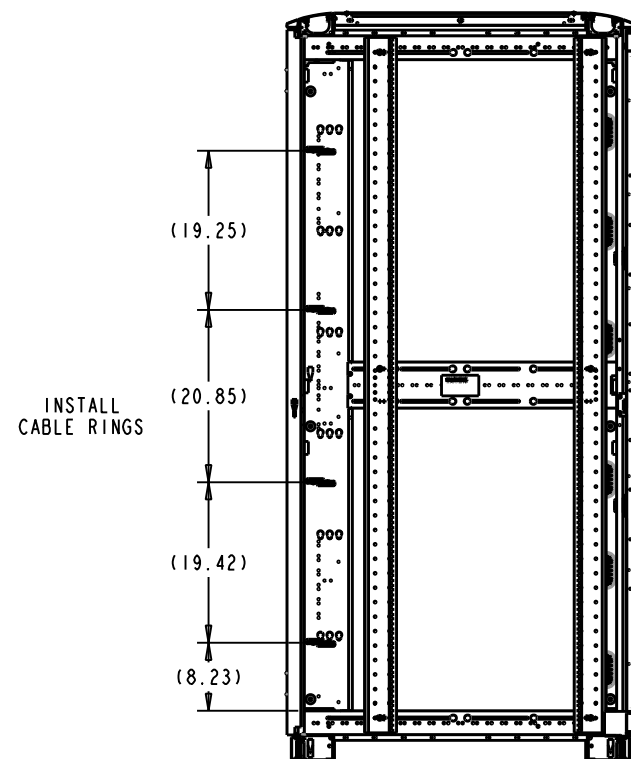
REAR



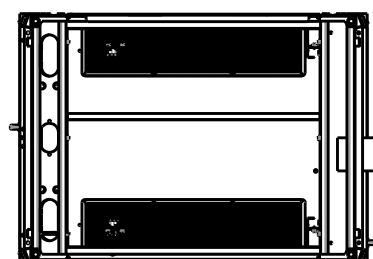
LEFT SIDE



FRONT



DETAIL A
SCALE 0.180



BOTTOM

LEVELING FEET

THIS DRAWING CONTAINS PROPRIETARY INFORMATION AND IS LOANED SUBJECT TO RETURN UPON DEMAND AND UPON THE EXPRESS CONDITION THAT IT WILL NOT BE USED IN ANY WAY DETRIMENTAL TO THE INTEREST OF EATON CORPORATION DRAWN IN THIRD ANGLE PROJECTION 	CAGE NUMBER: 81824		CUSTOMER: EATON CHANNEL			
	DESIGN MGMT SITE: Worcester		DES. BY: MTroio	04/16/12		
	MATERIAL: -		DRWN. BY: MTroio	04/16/12		
	MATERIAL FINISH: -		PROD. GRP: 50 - Paramount			
TOLERANCE UNLESS SPEC'D: .xxx ± .005		COLOR: -		CONFIG - 48U X 30W X 42D		
ALL DIMENSIONS IN INCHES		CRS GA: N/A		PARAMOUNT, RACK HYGIENE		
REV		REV. DATE	REV'D BY	CURRENT REVISION DESCRIPTION	ECN OR EPR NUMBER	SHEET: 3 OF 8 D PMT483042H REV -

-	04/16/12	MTroio	PRODUCTION RELEASE	EPR113430
REV	REV. DATE	REV'D BY	CURRENT REVISION DESCRIPTION	ECN OR EPR NUMBER