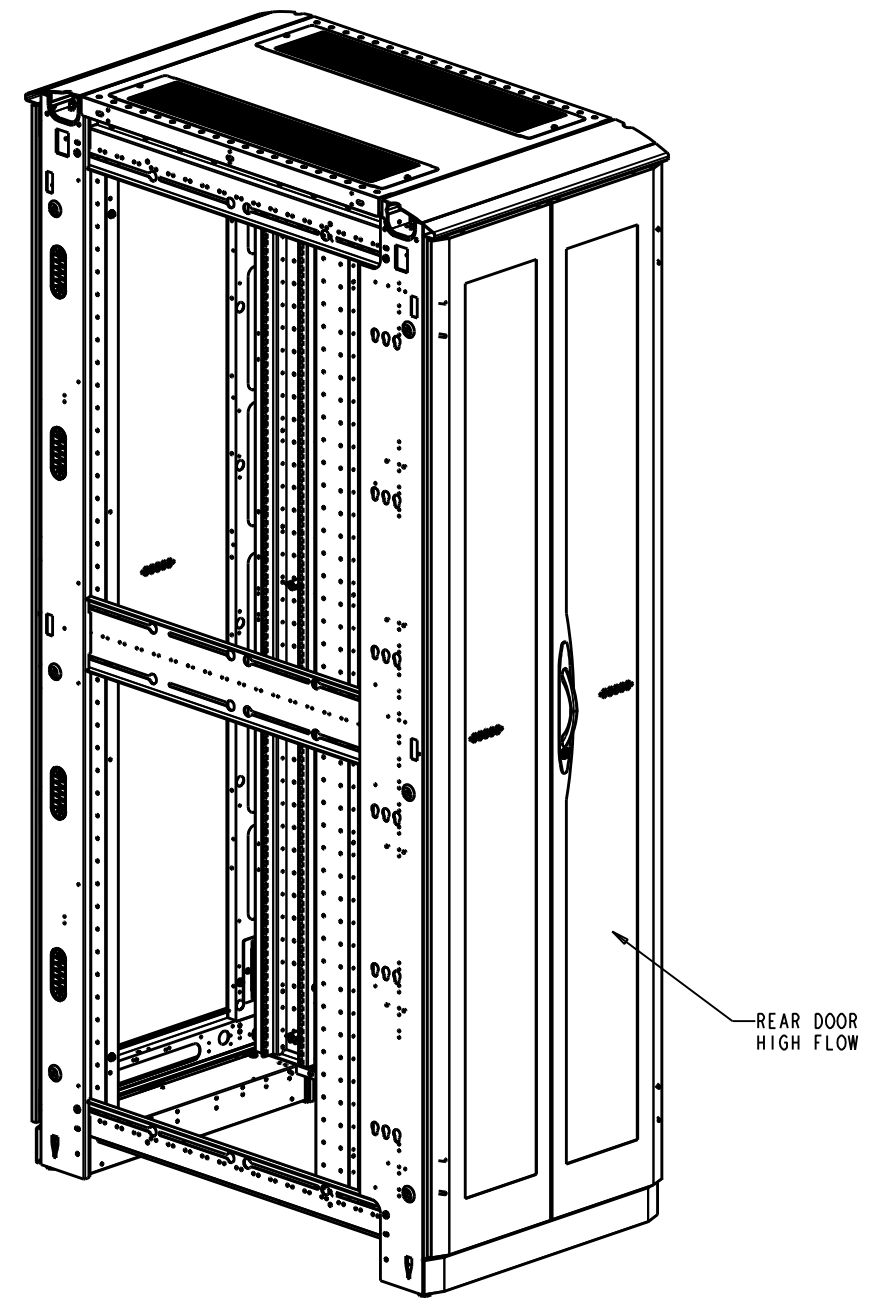



FRONT ISO



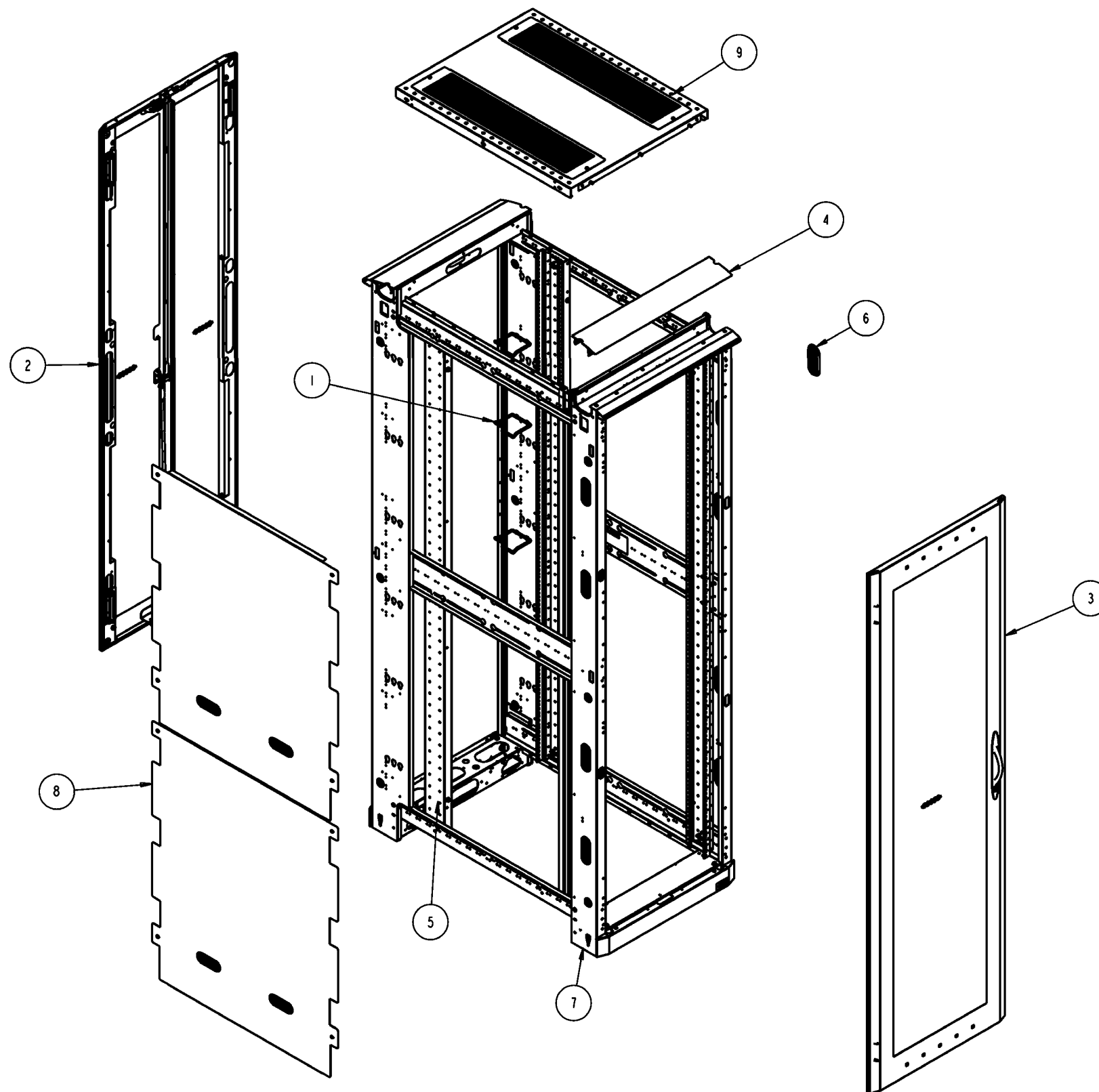
REAR ISO

SHIPPING WEIGHT: 360 LBS

REV	REV. DATE	REV'D BY	PRODUCTION RELEASE	ECN OR EPR NUMBER
-	-	-	PRODUCTION RELEASE	EPR113222
-	-	-	CURRENT REVISION DESCRIPTION	-

DRAWN IN THIRD ANGLE PROJECTION	TOLERANCE UNLESS SPEC'D .XX ± .02 .XXX ± .005 ∠ ± .1 ALL DIMENSIONS IN INCHES	CAGE NUMBER: 81824	CUSTOMER: EATON CHANNEL	
		DESIGN MGMT SITE: Worcester	DES. BY DNe1son 08/16/11 DRWN. BY DNe1son 08/16/11	
		MATERIAL:	PROD. GRP 50 - Paramount	CONFIG - 44U X 24W X 42D
		MATERIAL FINISH:	COLOR: -	PARAMOUNT W/ RACK HYGIENE
		SPEC #:	CRS GA: N/A	SHEET: 1 OF 8
			OTHER: -	REV DATE: -
				D PMT442442H REV -

©2014 Eaton. All rights reserved.



ASSEMBLY WIRING NOTE:

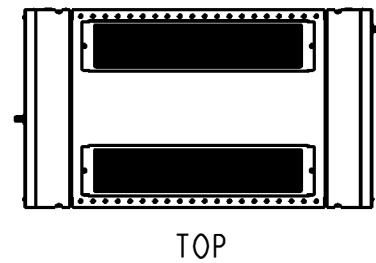
- GROUND ALL DOORS, RAILS, TOP AND DIVIDER PANELS.
USE GROUNDING LANYARDS FROM KIT P/N GRNDPMT.
USE STANDARD W/L GROUND POINTS FOR ATTACHMENT AREAS.

ITEM	TYPE	DOCUMENT #	REV	DESCRIPTION	QTY
10	SA	GRNDPMT	-	GROUND KIT - PARAMOUNT	1
9	MA	PMTNWP2442	-	ASSEMBLY - TOP PANEL, 24W X 42D	1
8	MA	PMTJVD4442S	A	DIVIDER PANEL ASY - 44U X 42D	1
7	MA	PMTFRM442440	-	WLD - FRAME, 44U X 24W X 40D	1
6	MA	JWOVLGROM	A	GROMMET - OVAL 1.5WX4L	8
5	MA	JRM10000_	-	RACK MOUNT RAILS - 44U	1
4	MA	JFTK24_	B	FRAME TRIM KIT - 24"W	1
3	MA	JDHF8424L	-	DOOR, HIGH FLOW	1
2	MA	JDDHF8424	-	ASSEMBLY - SPLIT DOOR, HIGH FLOW	1
1	MA	CMDRNR032U_	-	D-RING KIT, 2U	1

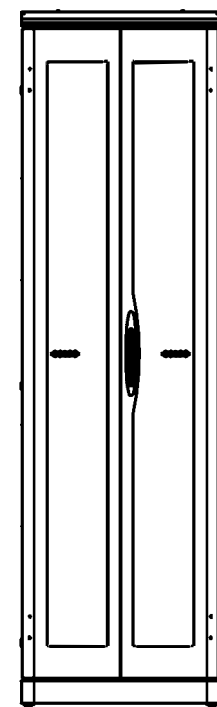
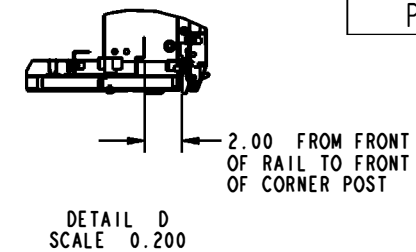
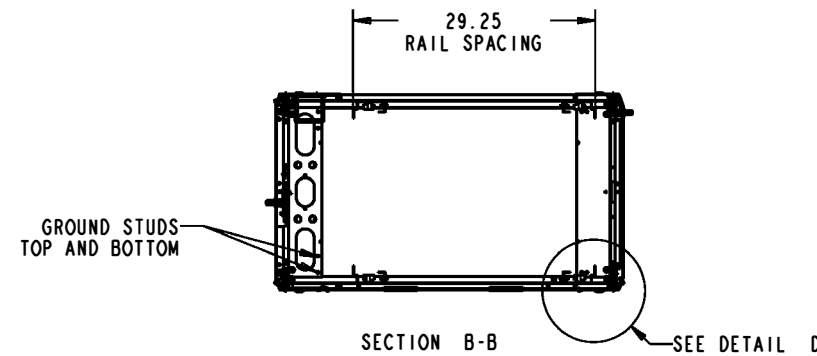
DRAWN IN THIRD ANGLE PROJECTION	TOLERANCE UNLESS SPEC'D .XX ± .02 .XXX ± .005 < ± .1"	CAGE NUMBER:	CUSTOMER: EATON CHANNEL	EATON <small>©2024 Eaton. All rights reserved.</small>
		81824	DES. BY DNeison 08/16/11 DRWN. BY DNeison 08/16/11	
DESIGN MGMT SITE: Worcester		PROD. GRP 50 - Paramount	COLOR: -	CONFIG - 44U X 24W X 42D PARAMOUNT W/ RACK HYGIENE
MATERIAL:		CRS GA: N/A	OTHER: -	SHEET: 2 OF 8
MATERIAL FINISH:		SPEC #:		REV DATE: -
ALL DIMENSIONS IN INCHES				D PMT442442H REV -

REV	REV. DATE	REV'D BY	PRODUCTION RELEASE	ECN OR EPR NUMBER
-	-	-	PRODUCTION RELEASE	EPR113222
-	-	-	CURRENT REVISION DESCRIPTION	

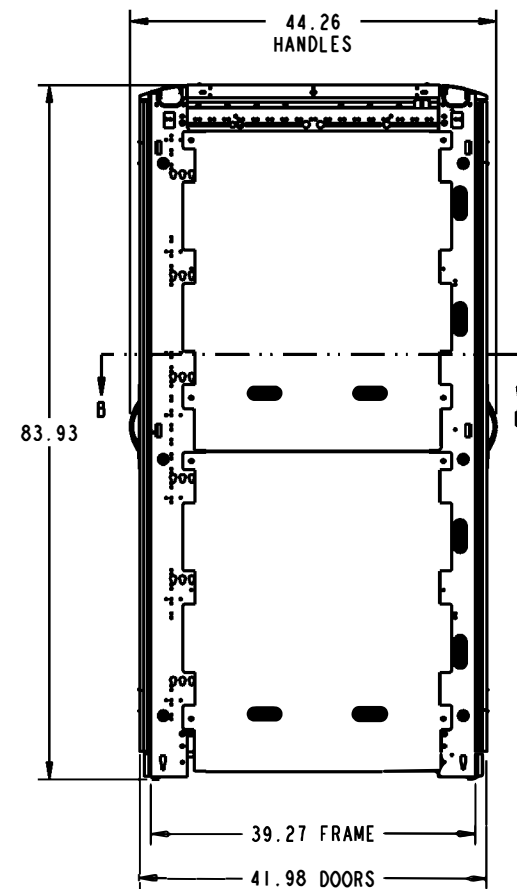
RELEASE STATUS
Production



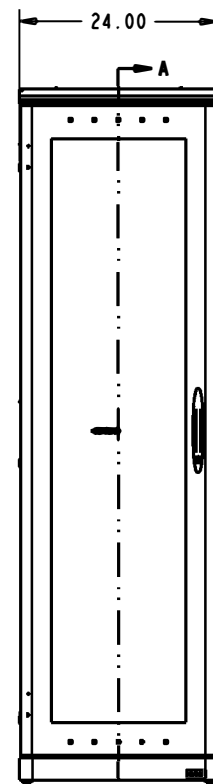
TOP



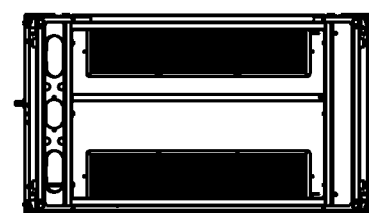
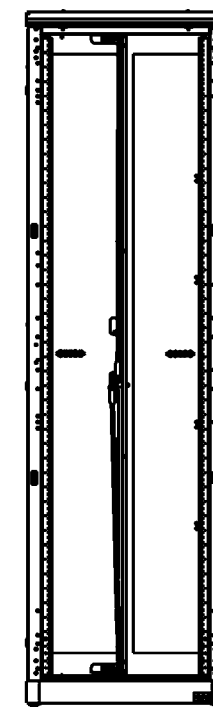
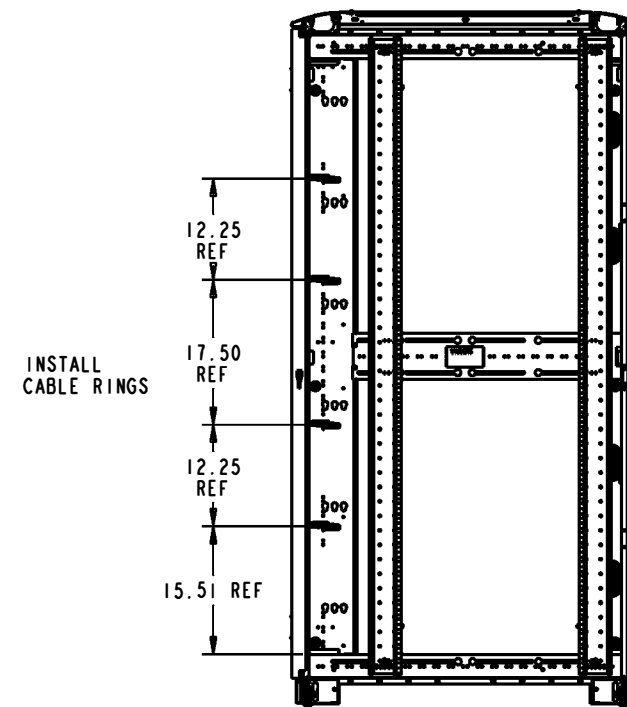
REAR



LEFT SIDE



FRONT



BOTTOM

LEVELING FEET

DRAWN IN THIRD ANGLE PROJECTION	TOLERANCE UNLESS SPEC'D XX ± .02 .XXX ± .005 < ± .1"	CAGE NUMBER:	CUSTOMER: EATON CHANNEL	
		81824	DES. BY D Nelson 08/16/11	
MATERIAL:	MATERIAL FINISH:	DESIGN MGMT SITE:	PROD. GRP 50 - Paramount	CONFIG - 44U X 24W X 42D PARAMOUNT W/ RACK HYGIENE
		Worcester	COLOR: -	
ALL DIMENSIONS IN INCHES		OTHER:	CRS GA: N/A	SHEET: 3 OF 8
		SPEC #:		REV DATE: -

REV	REV. DATE	REV'D BY	PRODUCTION RELEASE	EPR113222	ECN OR EPR NUMBER
-	-	-	PRODUCTION RELEASE	EPR113222	
-	-	-	CURRENT REVISION DESCRIPTION		