

SHIPPING WEIGHT: 286 LBS

REV	REV. DATE	REV'D BY	CURRENT REVISION DESCRIPTION	ECN OR EPR NUMBER
-	03/19/12	MTroio	PRODUCTION RELEASE	EPR123513

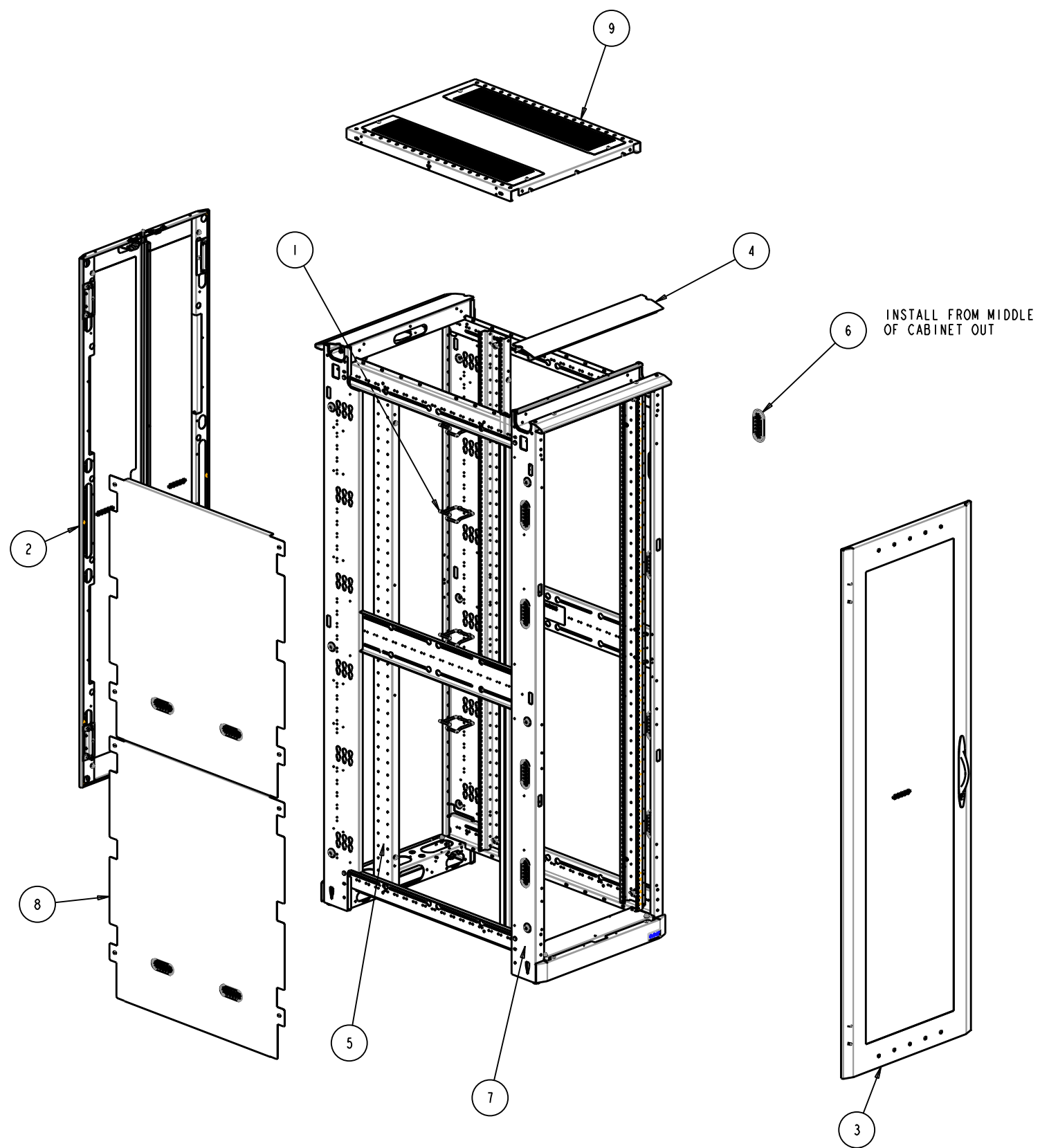
THIS DRAWING CONTAINS PROPRIETARY INFORMATION AND IS LOANED SUBJECT TO RETURN UPON DEMAND AND UPON THE EXPRESS CONDITION THAT IT WILL NOT BE USED IN ANY WAY DETRIMENTAL TO THE INTEREST OF EATON CORPORATION

DRAWN IN THIRD ANGLE PROJECTION

TOLERANCE UNLESS SPEC'D  
 .XX ± .02  
 .XXX ± .005  
 <math>\leq \pm 1^{\circ}</math>  
 ALL DIMENSIONS IN INCHES

CAGE NUMBER: <b>81824</b>	ORIG EPR: EPR123513
DESIGN MGMT SITE: Worcester	DES. BY: MTroio 03/19/12
MATERIAL:	DRWN. BY: MTroio 03/19/12
MATERIAL FINISH:	PROD. GRP: 50 - Paramount
SPEC #:	COLOR: -
	CRS GA: N/A
	OTHER: -

<b>EATON</b>	
CONFIG - 42U X 24W X 42D PARAMOUNT W/ RACK HYGIENE	
SHEET: 1 OF 7	REV DATE: 03/19/12
D PMT422442H	REV -



ASSEMBLY WIRING NOTE:

- GROUND ALL DOORS, RAILS, TOP AND DIVIDER PANELS. USE GROUNDING LANYARDS FROM KIT P/N GRNDPMT. USE STANDARD W/L GROUND POINTS FOR ATTACHMENT AREAS.

ITEM	TYPE	DOCUMENT #	REV	DESCRIPTION	QTY
10	SA	GRNDPMT	-	GROUND KIT - PARAMOUNT	1
9	MA	PMTNWP2442	-	ASSEMBLY - TOP PANEL, 24W X 42D	1
8	MA	PMTJVD4242S	-	DIVIDER PANEL ASY - 42U X 42D	1
7	MA	PMTFRM422440	-	WLD - FRAME, 42U X 24W X 40D	1
6	MA	JWOVLGROM	A	GROMMET - OVAL 1.5WX4L	8
5	MA	JRM4200	-	RACK MOUNT RAILS - 42U	1
4	MA	JFTK24	1	FRAME TRIM KIT - 24"W	1
3	MA	JDFH8124L	-	DOOR, HIGH FLOW	1
2	MA	JDDHF8124	-	ASSEMBLY - SPLIT DOOR, HIGH FLOW	1
1	MA	CMDRN032U	-	D-RING KIT, 2U	1

THIS DRAWING CONTAINS PROPRIETARY INFORMATION AND IS LOANED SUBJECT TO RETURN UPON DEMAND AND UPON THE EXPRESS CONDITION THAT IT WILL NOT BE USED IN ANY WAY DETRIMENTAL TO THE INTEREST OF EATON CORPORATION

DRAWN IN THIRD ANGLE PROJECTION

TOLERANCE UNLESS SPEC'D  
 .XX ± .02  
 .XXX ± .005  
 < ± 1"  
 ALL DIMENSIONS IN INCHES

CAGE NUMBER: 81824  
 ORIG EPR: EPRI23513  
 DES. BY: MTroio 03/19/12  
 DRWN. BY: MTroio 03/19/12  
 DESIGN MGMT SITE: Worcester  
 PROD. GRP: 50 - Paramount  
 COLOR: -  
 CRS GA: N/A  
 OTHER: -  
 MATERIAL: -  
 MATERIAL FINISH: -  
 SPEC #: -

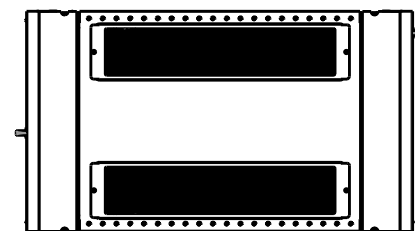


CONFIG - 42U X 24W X 42D  
PARAMOUNT W/ RACK HYGIENE

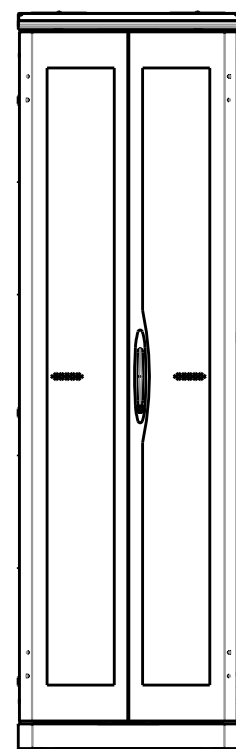
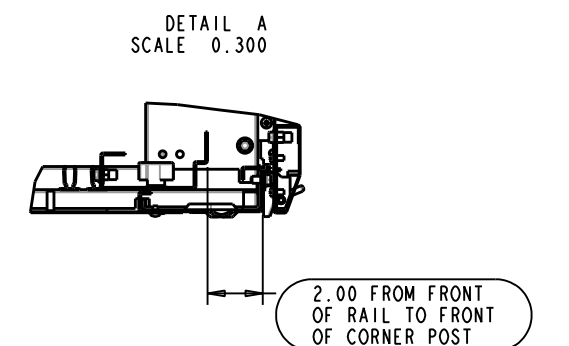
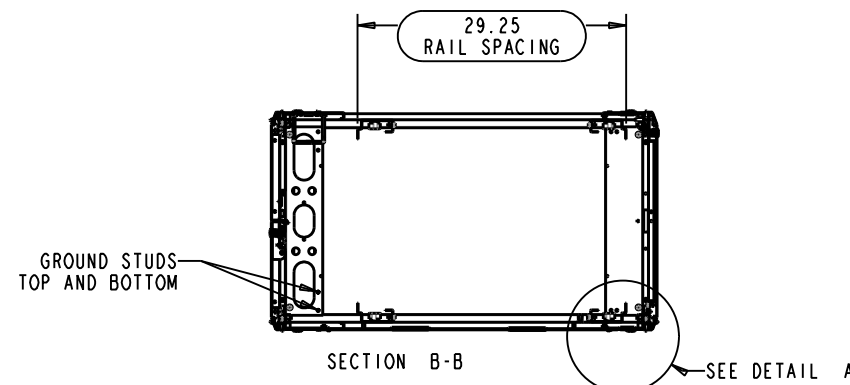
SHEET: 2 OF 7  
 REV DATE: 03/19/12  
 D PMT422442H REV -

REV	REV. DATE	REV'D BY	CURRENT REVISION DESCRIPTION	ECN OR EPR NUMBER
-	03/19/12	MTroio	PRODUCTION RELEASE	EPRI23513

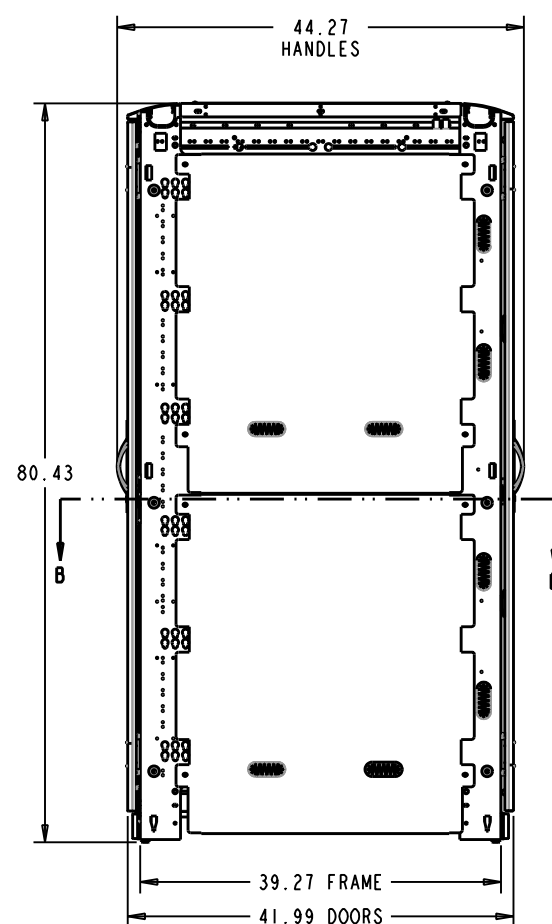
RELEASE STATUS  
Production



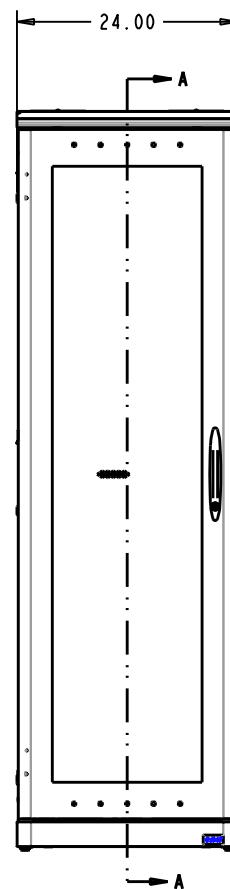
TOP



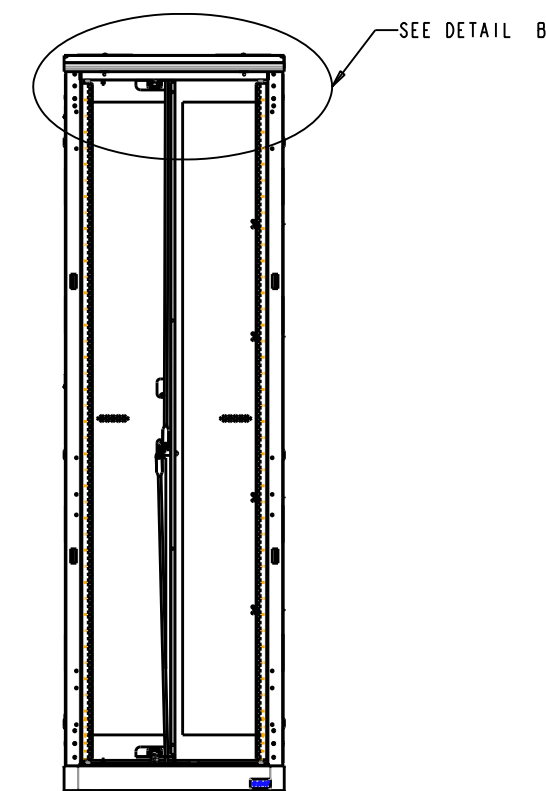
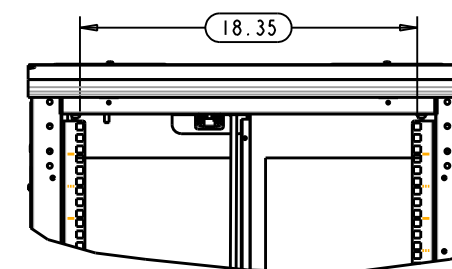
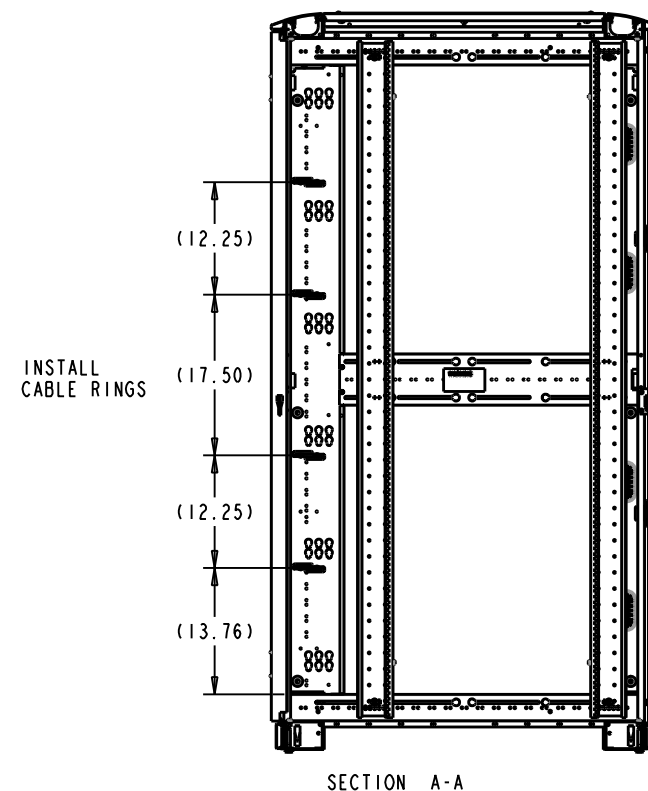
REAR



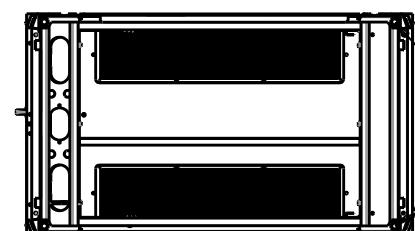
LEFT SIDE



FRONT



FRONT  
DOOR NOT SHOWN



BOTTOM

LEVELING FEET

THIS DRAWING CONTAINS PROPRIETARY INFORMATION AND IS LOANED SUBJECT TO RETURN UPON DEMAND AND UPON THE EXPRESS CONDITION THAT IT WILL NOT BE USED IN ANY WAY DETRIMENTAL TO THE INTEREST OF EATON CORPORATION	CAGE NUMBER:	81824	ORIG EPR: EPR123513		
	DESIGN MGMT SITE:	Worcester	DES. BY: MTroio 03/19/12		
	MATERIAL:		DRWN. BY: MTroio 03/19/12		
	MATERIAL FINISH:		PROD. GRP: 50 - Paramount		
DRAWN IN THIRD ANGLE PROJECTION 	TOLERANCE UNLESS SPEC'D	.XX ± .02	COLOR: -	CONFIG - 42U X 24W X 42D PARAMOUNT W/ RACK HYGIENE	
	.XXX ± .005	OTHER: -	CRS GA: N/A		
REV	REV. DATE	REV'D BY	CURRENT REVISION DESCRIPTION	ECN OR EPR NUMBER	SHEET: 3 OF 7 D PMT422442H REV -

-	03/19/12	MTroio	PRODUCTION RELEASE	EPR123513
REV	REV. DATE	REV'D BY	CURRENT REVISION DESCRIPTION	ECN OR EPR NUMBER