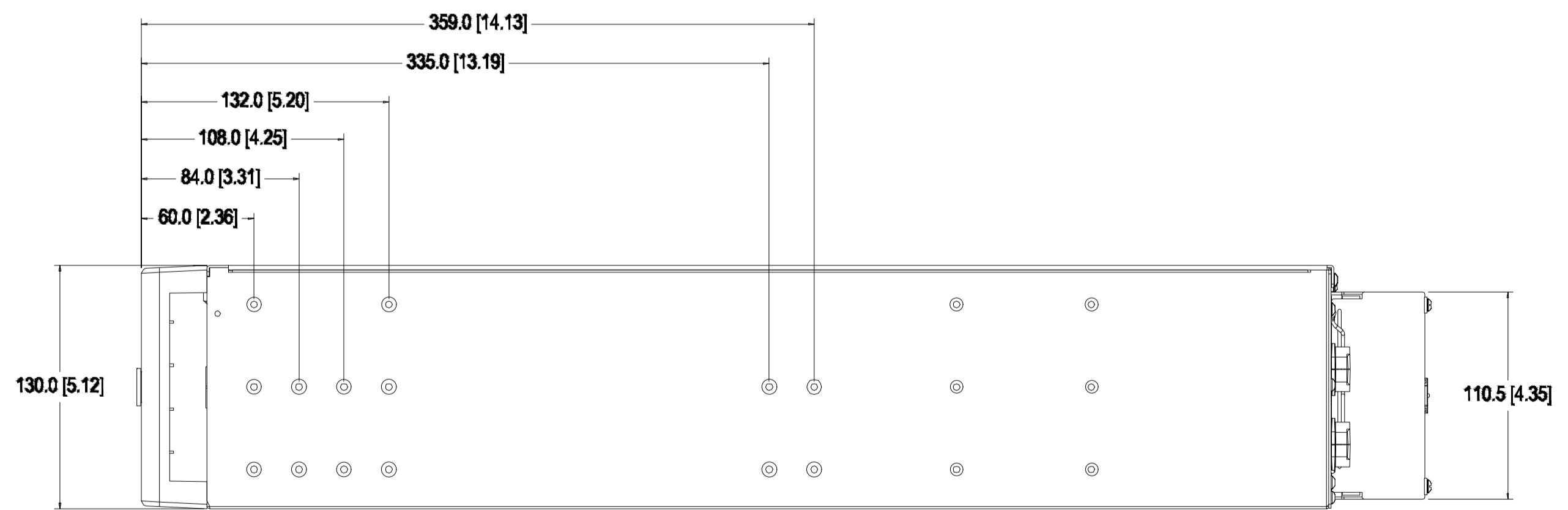
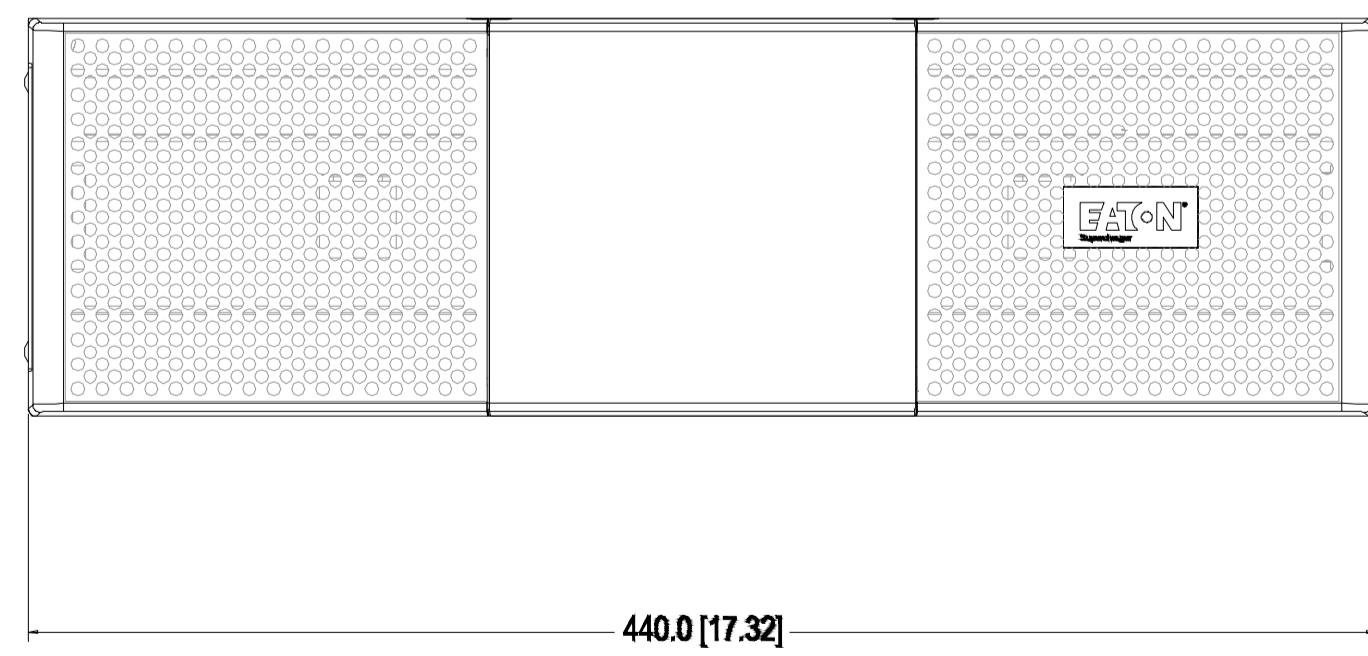
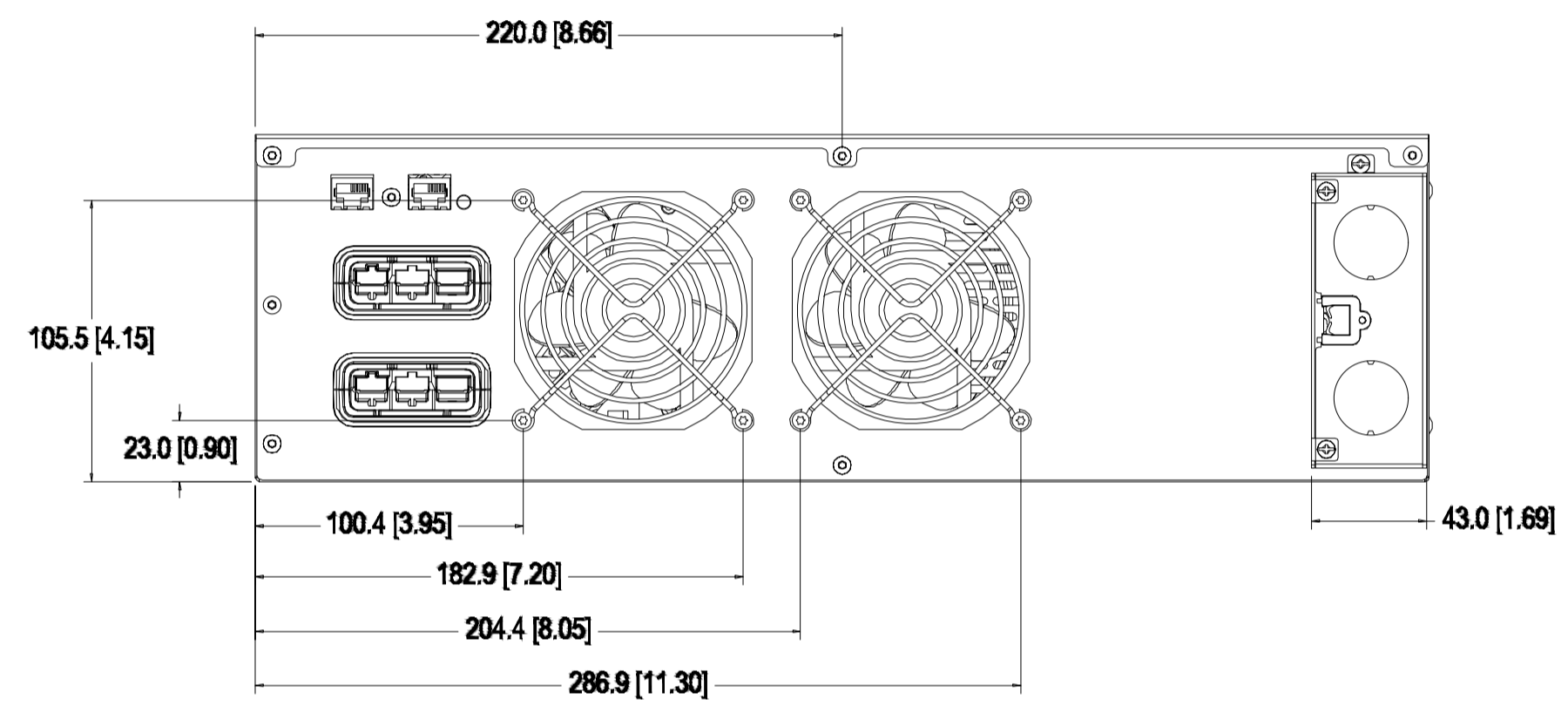
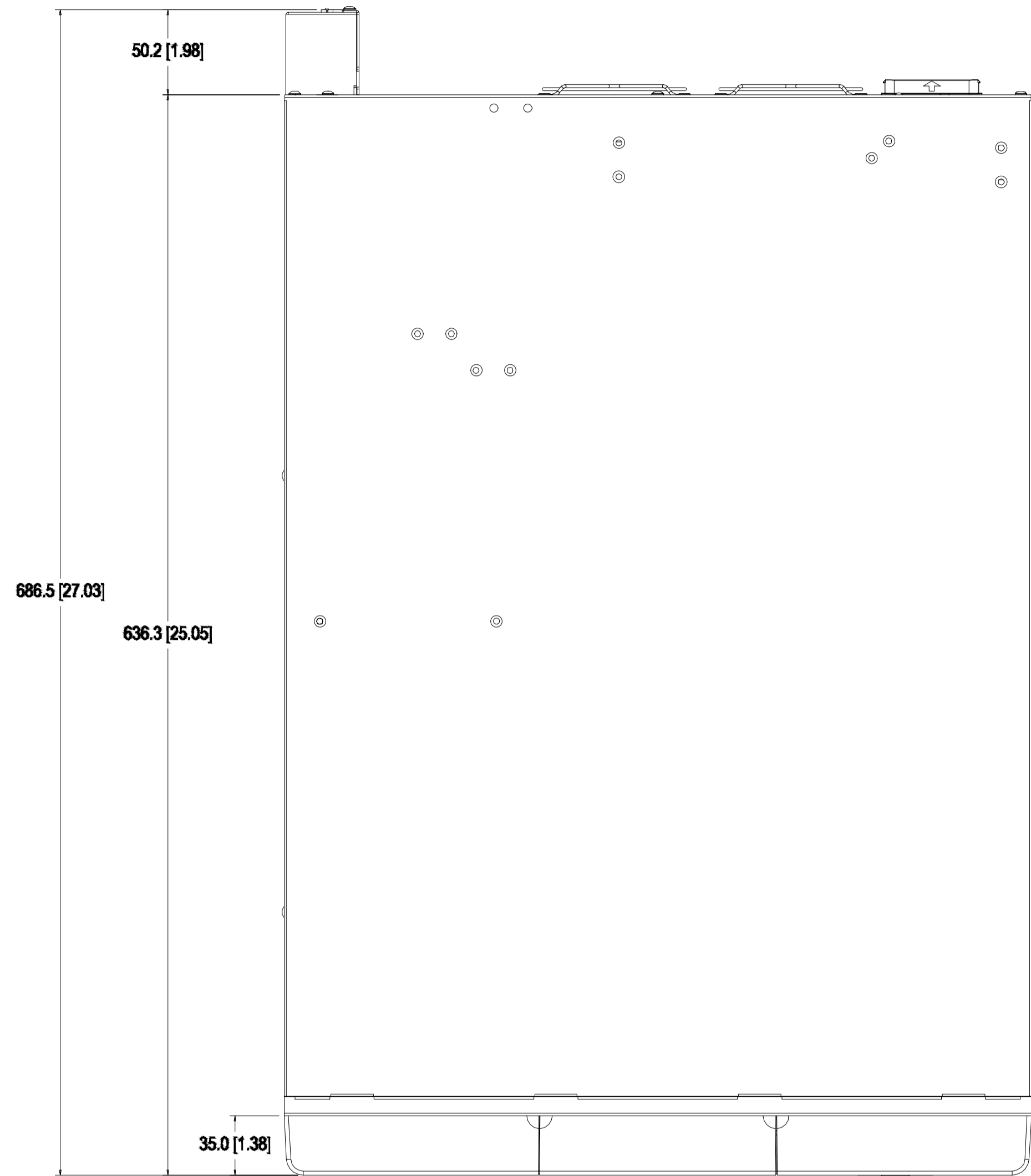


8 7 6 5 4 3 2 1

H
G
F
E
D
C
B
A



8 7 6 5 4 3 2 1

METRIC		<input type="checkbox"/> DIMENSIONS IN INCHES	EATON CORPORATION, ELECTRICAL	EATON	REV: D
SC240RT		UNLESS OTHERWISE SPECIFIED TOLERANCES ON DIMENSIONS ARE: SEE NOTES DIMENSIONS ARE IN MILLIMETERS (INCHES) AND AFTER PLATING			SCALE: 1:1 DO NOT SCALE DIMENSIONS OR CHANGE MANUALLY
DESIGNED BY:	DATE:	STATE: RELEASE	PRO-ENGINEER GENERATED	PART NAME: SC240RT	REVISION: 00
©2024 Eaton. All rights reserved.					

H
G
F
E
D
C
B
A