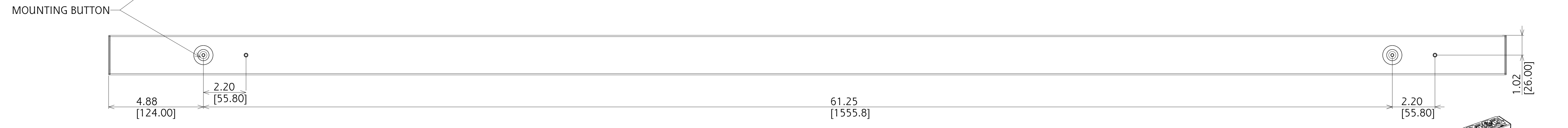
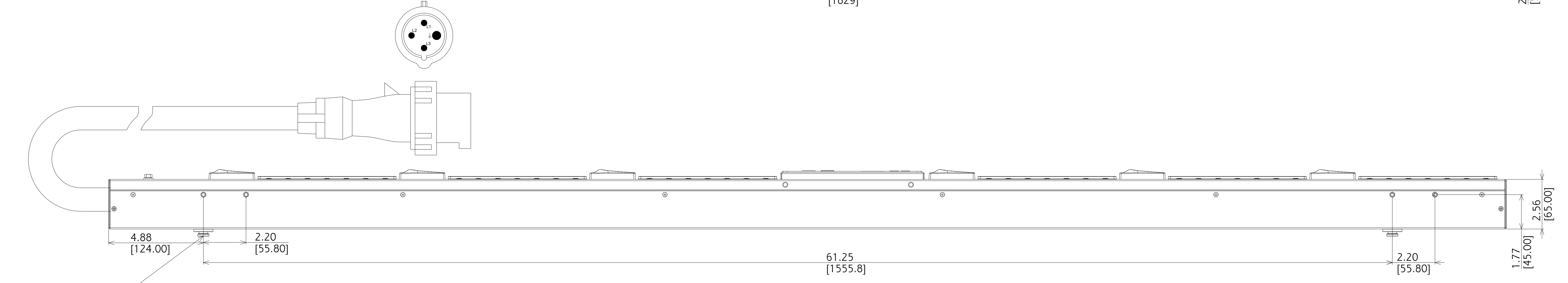
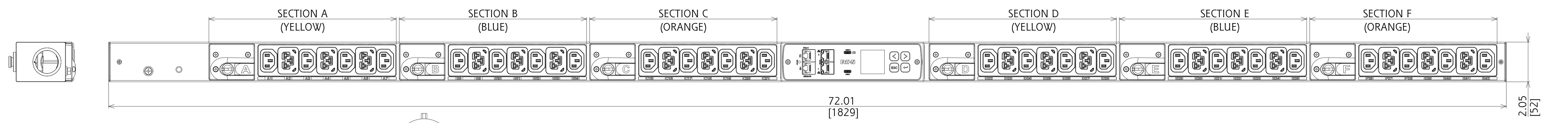
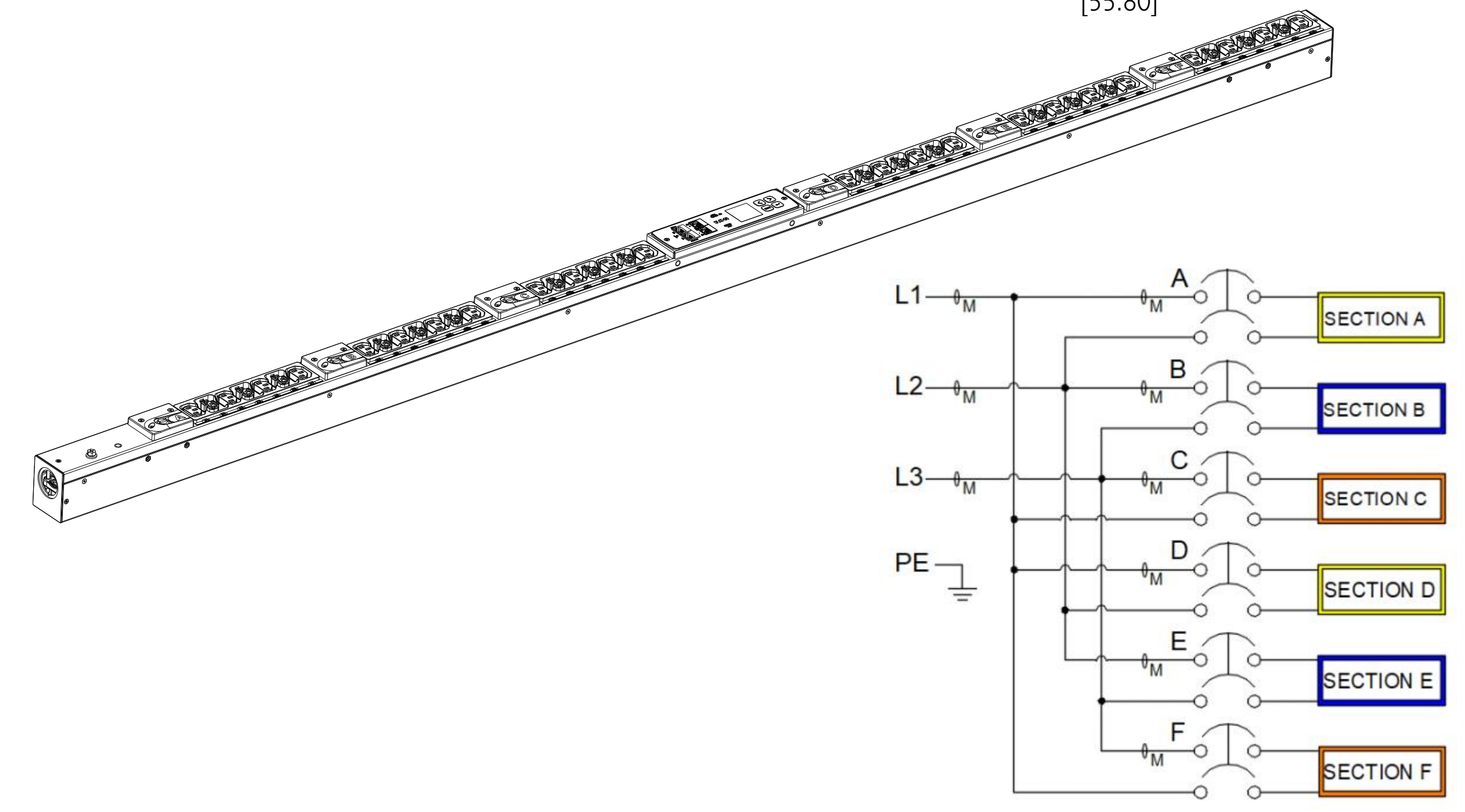


| REV | DATE | ECO-CODE | MODIFICATION | PREPARED | APPROVED |
|-------------|------|----------|--------------|----------|----------|
| 18-AUG-2023 | | | FIRST ISSUE | | |



EVM14609X G4 METERED INPUT

| | | | |
|---|---|--|------------------------------|
| FUNCTIONALITY | INPUT | OUTPUT | ENVIRONMENTAL |
| CURRENT, POWER, AND ENERGY METERING FOR INPUT; CURRENT METERING FOR BRANCH | IEC 60309 460P9W 6AWG / 4C 10FT POWERCORD | (24) IEC 60320 C13 (18) EATON C39 - COMBO C13/C19 | 0° TO 60° C 32° TO 140° F |
| MECHANICAL | INPUT RATING | OUTPUT RATING | CERTIFICATIONS |
| 72.01" (1829mm) LENGTH 2.05" (52mm) WIDTH 2.56" (65mm) DEPTH ALUMINUM CHASSIS, BLACK | 200-240V ~ DELTA, 3W + PE 48A 50/60HZ | 200-240V ~ 10A PER C13, 16A PER C39 16A MAX PER SECTION 48A MAX PER PHASE | cTUVus |
| CIRCUIT BREAKERS | COMMUNICATION | ACCESSORIES | REGULATORY MODEL |
| (6) 20A 2-POLE LISTED | G4 eNMC, DUAL GIGABIT ETHERNET WITH NETWORK CASCADING, POWER REDUNDANCY PORT, EMP PORT, 2xUSB-C, MENU PIXEL LCD, ADVANCED CYBERSECURITY | INCLUDED SPK045 - INSTALLATION OPTIONAL USB-C TO RS232 ADAPTER - U209-006-RJ45XC OPTIONAL ENVIRONMENTAL PROBE - EMPDT1H1C2 | EMIF-FLXJ-G28K |



| METRIC | | THIRD ANGLE PROJECTION | NAME (PART NUMBER) | REVISION | EATON |
|--|--|------------------------|----------------------|----------|---------|
| | | | 9001-22342_EVM14609X | | |
| DESCRIPTION: PDU G4 MI 0U 460P9W-10FT 24xC13,18xC39 | | | | | SIZE: D |
| ORIGINATED BY: | SEE NOTES FOR TOLERANCES DIM ARE IN MM (INCHES) AFTER PLATING | STATE: | SCALE: 0.400 | | |
| MODIFIED BY: | INTERPRET DIM AND TOL PER ASME Y14.5-2018 | ECO: | SHEET: 1 OF 1 | | |
| <small>EATON CORPORATION - CONFIDENTIAL AND PROPRIETARY. NOTICE TO PERSONS RECEIVING THIS DOCUMENT AND/OR TECHNICAL INFORMATION: THIS DOCUMENT IS THE PROPERTY OF EATON CORPORATION AND IS TO BE USED ONLY FOR THE PURPOSES SPECIFIED IN THE ORDER. IT IS NOT TO BE REPRODUCED, COPIED, OR TRANSMITTED IN ANY FORM OR BY ANY MEANS, ELECTRONIC OR MECHANICAL, WITHOUT THE PRIOR WRITTEN CONSENT OF EATON. IN THE CASE OF CONFLICTING CONTRACTUAL PROVISIONS, THIS NOTICE SHALL GOVERN THE STATUS OF THIS DOCUMENT. © Eaton Corporation. All Rights Reserved.</small> | | | | | |