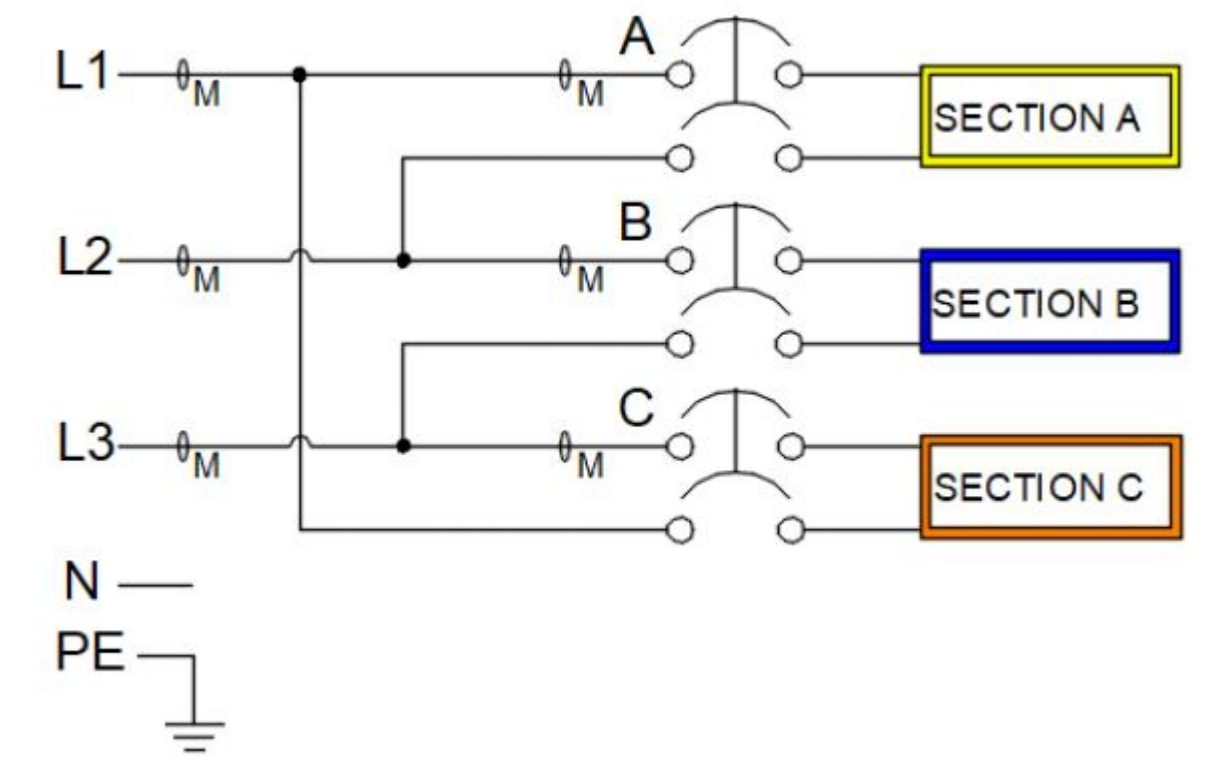
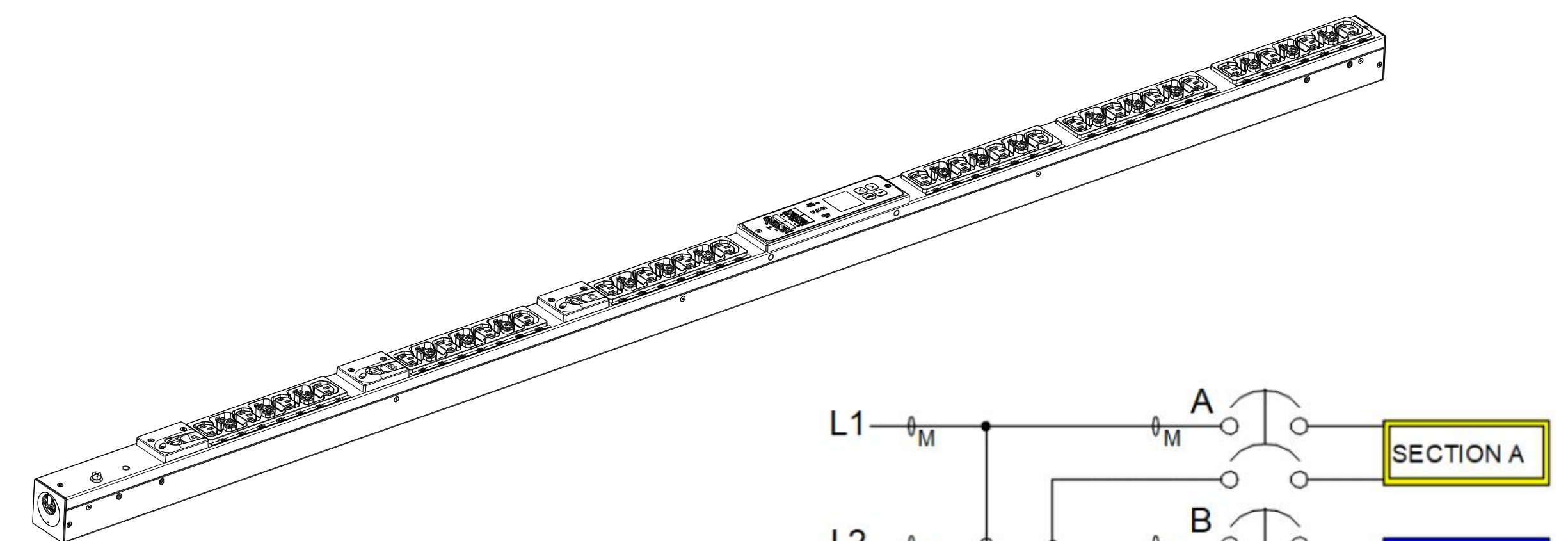
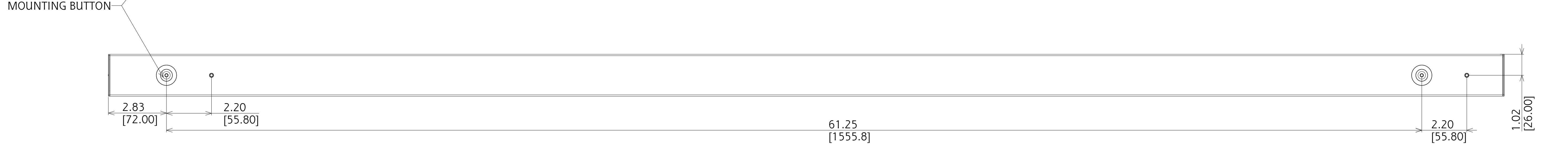
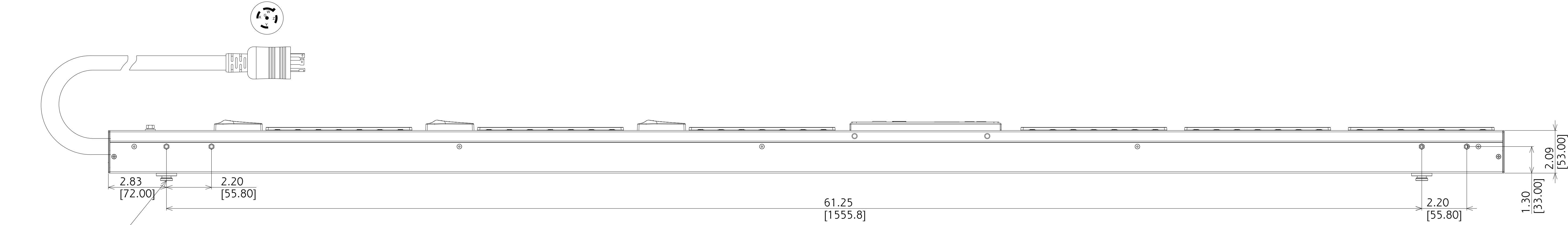
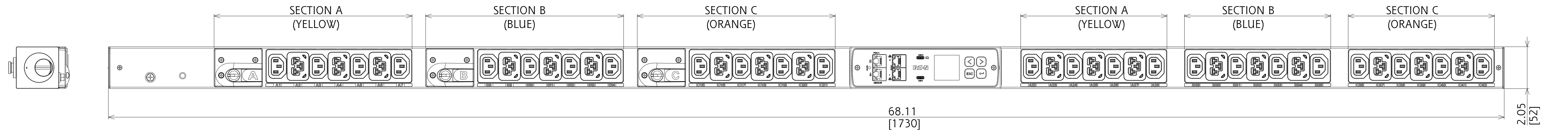


REV	DATE	ECO-CODE	MODIFICATION	PREPARED	APPROVED
18-AUG-2023			FIRST ISSUE		



EVMi2120X G4 METERED INPUT

FUNCTIONALITY	INPUT	OUTPUT	ENVIRONMENTAL
CURRENT, POWER, AND ENERGY METERING FOR INPUT; CURRENT METERING FOR BRANCH	NEMA L21-30 10AWG / 5C 10FT POWERCORD	(24) IEC 60320 C13 (18) EATON C39 - COMBO C13/C19	0° TO 60° C 32° TO 140° F
MECHANICAL	INPUT RATING	OUTPUT RATING	CERTIFICATIONS
68.11" (1730mm) LENGTH 2.05" (52mm) WIDTH 2.09" (53mm) DEPTH ALUMINUM CHASSIS, BLACK	100-127 / 173-240V ~ WYE, 3W + N + PE 16A 50/60HZ	173-240V ~ 10A PER C13, 16A PER C39 16A MAX PER SECTION 16A MAX PER PHASE	cTUvus
CIRCUIT BREAKERS	COMMUNICATION	ACCESSORIES	REGULATORY MODEL
(3) 20A 2-POLE LISTED	G4 eNMC, DUAL GIGABIT ETHERNET WITH NETWORK CASCADING, POWER REDUNDANCY PORT, EMP PORT, 2xUSB-C, MENU PIXEL LCD, ADVANCED CYBERSECURITY	INCLUDED SPK045 - INSTALLATION OPTIONAL USB-C TO RS232 ADAPTER - U209-006-RJ45XC OPTIONAL ENVIRONMENTAL PROBE - EMPDT1H1C2	EMIF-PBXJ-E27K

METRIC	THIRD ANGLE PROJECTION	NAME (PART NUMBER):	REVISION:	EATON
		9001-22314_EVMi2120X		
DESCRIPTION: PDU G4 MI 0U L21-20P 24xC13,18xC39			SIZE: D	
ORIGINATED BY:	SEE NOTES FOR TOLERANCES DIM ARE IN MM (INCHES) AFTER PLATING	STATE:	SCALE: 0.400	
MODIFIED BY:	INTERPRET DIM AND TOL PER ASME Y14.5-2018	ECO:	SHEET: 1 OF 1	
<small>EATON CORPORATION - CONFIDENTIAL AND PROPRIETARY. NOTICE TO PERSONS RECEIVING THIS DOCUMENT AND/OR TECHNICAL INFORMATION: THIS DOCUMENT IS THE PROPERTY OF EATON CORPORATION AND IS TO BE USED ONLY FOR THE PURPOSES SPECIFIED IN THE DRAWING AND IS NOT TO BE REPRODUCED, COPIED, OR TRANSMITTED IN ANY FORM OR BY ANY MEANS, ELECTRONIC OR MECHANICAL, INCLUDING PHOTOCOPYING, RECORDING, OR BY ANY INFORMATION STORAGE AND RETRIEVAL SYSTEM, WITHOUT THE WRITTEN PERMISSION OF EATON CORPORATION. EATON CORPORATION SHALL NOT BE LIABLE FOR ANY DAMAGES, INCLUDING CONSEQUENTIAL DAMAGES, ARISING FROM THE USE OF THIS DOCUMENT OR THE INFORMATION CONTAINED HEREIN. THE REVISIONS AND CHANGES TO THIS DOCUMENT SHALL BE LISTED IN THE REVISIONS AND CHANGES SECTION OF THIS DOCUMENT. THIS NOTICE SHALL GOVERN THE STATUS OF THIS DOCUMENT © Eaton Corporation. All Rights Reserved.</small>				