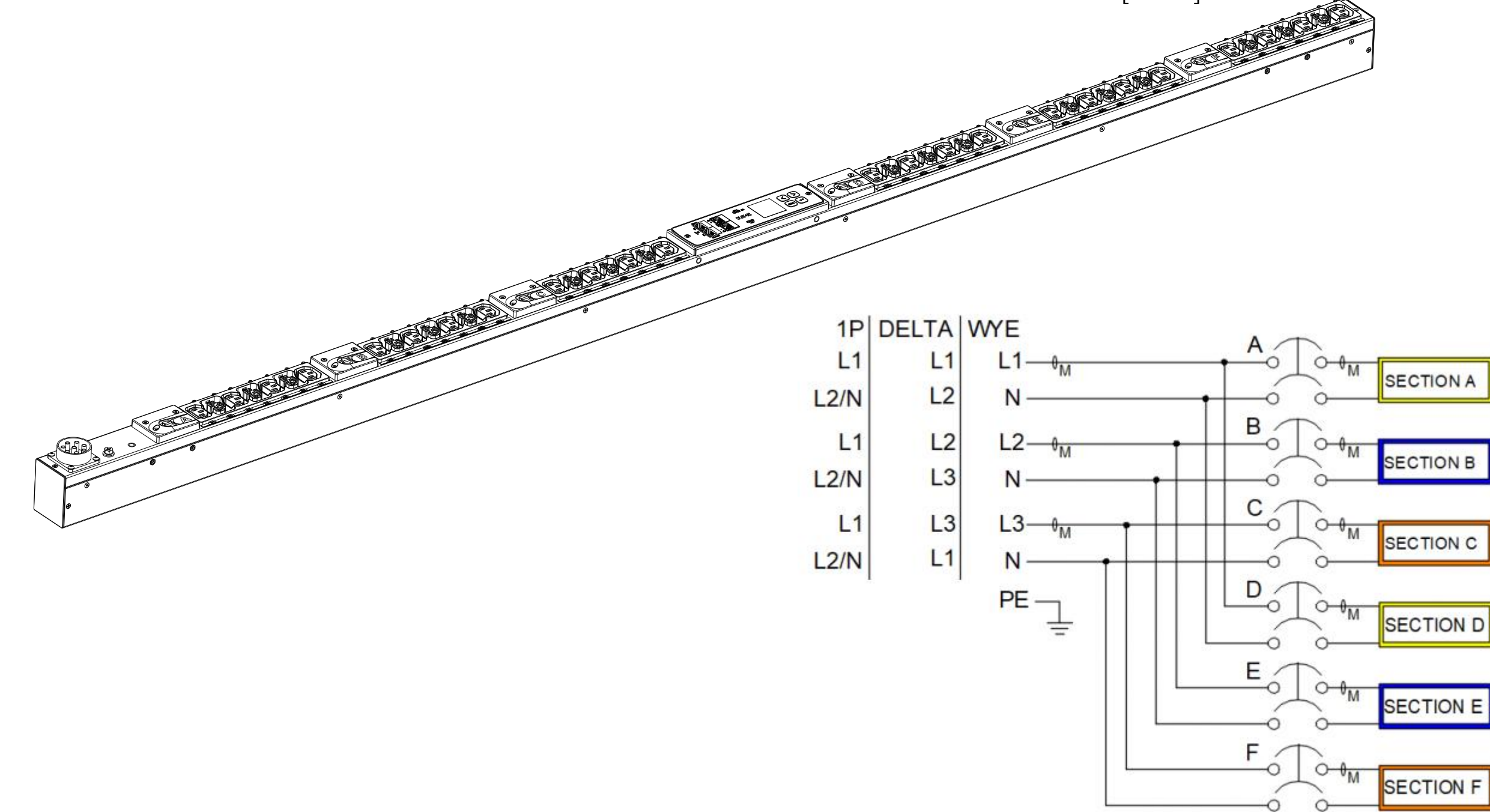
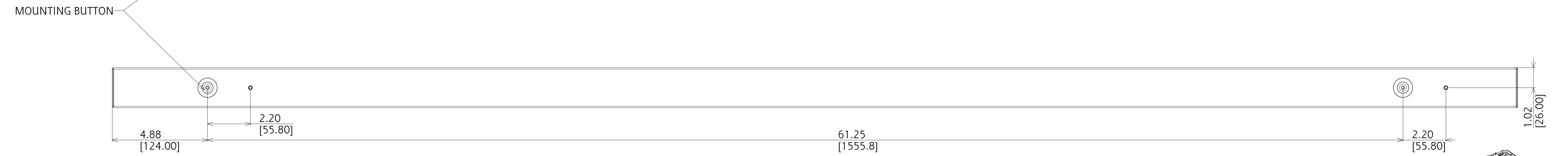
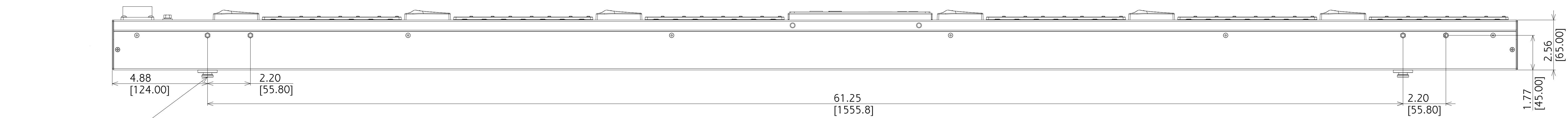
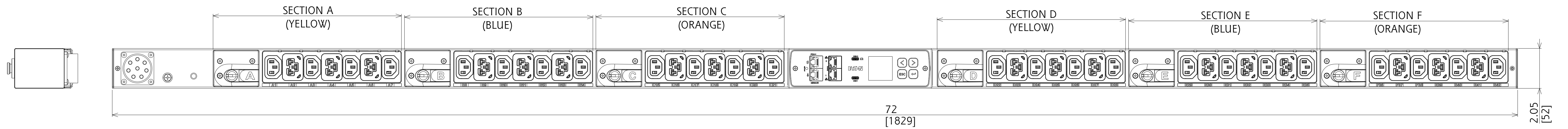


REV	DATE	ECO-CODE	MODIFICATION	PREPARED	APPROVED
18-AUG-2023			FIRST ISSUE		



EVMAGU23X G4 MANAGED

FUNCTIONALITY CURRENT, POWER, AND ENERGY METERING FOR INPUT AND OUTLET; CURRENT METERING FOR BRANCH; OUTLET SWITCHING	INPUT EATON/SOURIAU UTG SERIES 8-PIN CONNECTOR CORDSETS NOT INCLUDED, MUST BE ORDERED SEPARATELY	OUTPUT (24) IEC 60320 C13 (18) EATON C39 - COMBO C13/C19	ENVIRONMENTAL 0° TO 60° C 32° TO 140° F
MECHANICAL 72.01" (1829mm) LENGTH 2.05" (52mm) WIDTH 2.56" (65mm) DEPTH ALUMINUM CHASSIS, BLACK	INPUT RATING 1P: 100-240V~, 16-63A, or 3P DELTA: 100-240V~, 16-55A, or 3P WYE: 100-240 / 173-415V~, 16-32A 50/60Hz; USE WITH EZ1 SERIES CORDSET (CBL3XX-XX)	OUTPUT RATING 100-240V~ 10A PER C13, 16A PER C39 16A MAX PER SECTION NOT TO EXCEED INPUT CORDSET RATING	CERTIFICATIONS cTUVus CE, UKCA, RCM
CIRCUIT BREAKERS (6) 20A 2-POLE LISTED	COMMUNICATION G4 eNMC, DUAL GIGABIT ETHERNET WITH NETWORK CASCADING, POWER REDUNDANCY PORT, EMP PORT, 2xUSB-C, MENU PIXEL LCD, ADVANCED CYBERSECURITY	ACCESSORIES INCLUDED SPK045 - INSTALLATION OPTIONAL USB-C TO RS232 ADAPTER - U209-006-RJ45XC OPTIONAL ENVIRONMENTAL PROBE - EMPD11H1C2	REGULATORY MODEL EMAF-ZBAK-G28K

METRIC THIRD ANGLE PROJECTION		NAME (PART NUMBER): 9001-22313_EVMAGU23X	REVISION: EATON
DESCRIPTION: PDU G4 MA 0U UNV23KW 24xC13,18xC39			SIZE: D
ORIGINATED BY:	SEE NOTES FOR TOLERANCES DIM ARE IN MM (INCHES) AFTER PLATING	STATE:	SCALE: 0.400
MODIFIED BY:	INTERPRET DIM AND TOL PER ASME Y14.5-2018	ECO:	SHEET: 1 OF 1

EATON CORPORATION - CONFIDENTIAL AND PROPRIETARY. NOTICE TO PERSONS RECEIVING THIS DOCUMENT AND/OR TECHNICAL INFORMATION: THIS DOCUMENT IS THE PROPERTY OF EATON CORPORATION AND IS TO BE USED ONLY FOR THE PURPOSES SPECIFIED HEREIN. IT IS NOT TO BE REPRODUCED, COPIED, OR TRANSMITTED IN ANY FORM OR BY ANY MEANS, ELECTRONIC OR MECHANICAL, WITHOUT THE PRIOR WRITTEN CONSENT OF EATON. IN THE CASE OF CONFLICTING CONTRACTUAL PROVISIONS, THIS NOTICE SHALL GOVERN THE STATUS OF THIS DOCUMENT. © Eaton Corporation. All Rights Reserved.