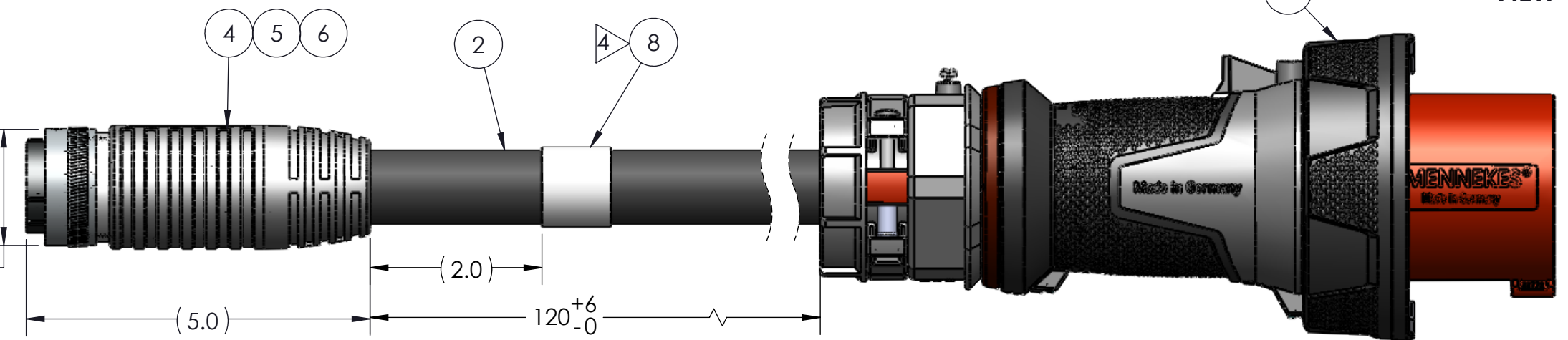
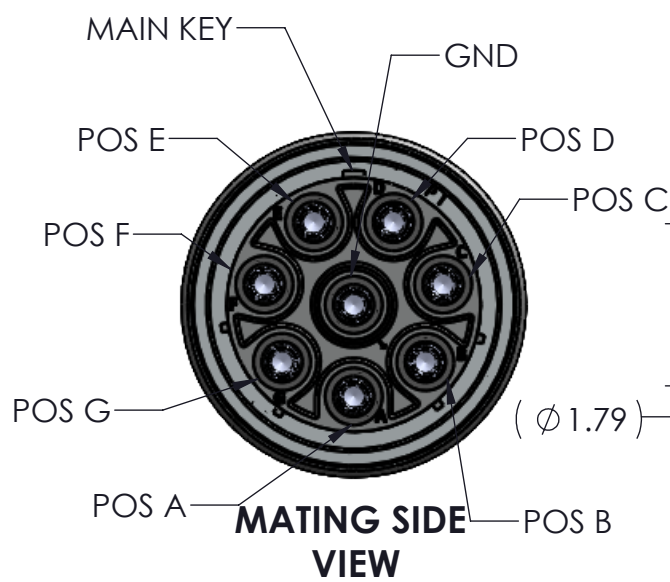
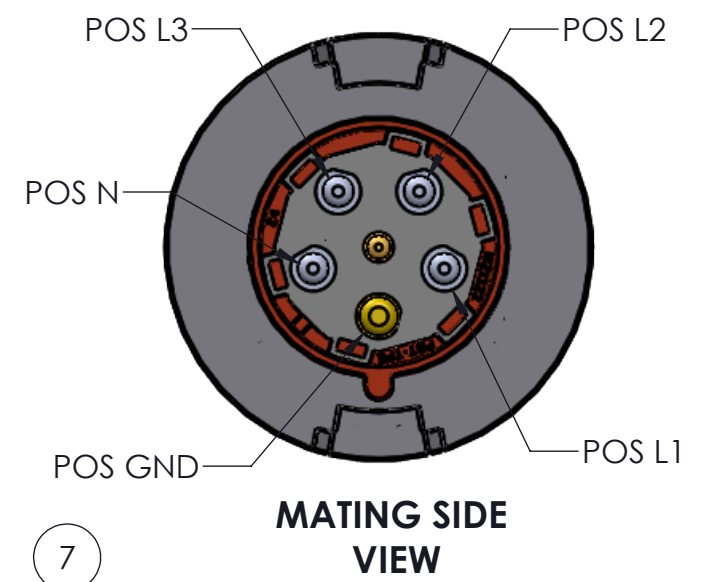


DWG. NO. S100863

REVISIONS				
REV.	DESCRIPTION	DATE	BY	APPROVED
A	INITIAL RELEASE	2/24/2022	IC	EB
B	UPDATED PER CR-0100763 & CO-0189493	1/24/2023	LR	EB

WYE	CABLE WIRING DIAGRAM			
	UTG6248SNR		560P6W	
CIRCUIT	POS	WIRE	WIRE	POS
240V CIRCUIT #1	A	BLACK	BLACK	L1
240V CIRCUIT #2	B	RED	RED	L2
240V CIRCUIT #3	C	ORANGE	ORANGE	L3
240V CIRCUIT #1	D	WHITE	WHITE	N
240V CIRCUIT #2	E	WHITE		
240V CIRCUIT #3	F	WHITE		
N/A	G	N/A	GREEN	PE
PROTECTIVE EARTH	GND	GREEN		



- NOTES:
- WORKMANSHIP STANDARDS AND INSPECTION CRITERIA ARE IN ACCORDANCE WITH IPC/WHMA-A-620 CLASS-2.
 - INSPECTION REQUIREMENTS 100% AFTER ASSEMBLY:
 - 2.1 VISUAL
 - 2.2 ALL CIRCUITS CONTINUITY, SHORTS & OPENS.
 - 2.3 ON EACH PRODUCTION UNIT PERFORM DWV (HI-POT) TEST 1500VAC OR 2100VDC.
 - DIMENSIONAL INSPECTION PER AQL.

- PACKAGE MUST BE MARKED PER ePDUG4-0040 v1.1 SPEC.
- EACH CORDSET SHALL BE INDIVIDUALLY WRAPPED IN A LARGE BUBBLE BAG. CABLE ASSEMBLIES SHALL BE PACKAGED WITH TWO PER BOX. EACH BOX WILL HAVE DIMENSIONS OF 17" X 17" X 5".
- ALL MATERIALS ARE RoHS AND UL COMPLIANT.
- CORDSET QUALIFICATIONS:
 - UL 817 (UL FILE NUMBER: E529492)
 - CSA C22.2 No. 21

(2.0)

4 RATING LABEL

EATON
CBL360-10
EZ1-FU5Y
200-240/346-415V~, 3W+N+PE,
32A

(1.0)

ITEM NO.	DESCRIPTION	QTY.	UM
9	PRIMER	A/R	GL
8	WRAP AROUND LABEL 6" X 2"	1	EA
7	CONNECTOR 560P6W	1	EA
6	OVERMOLD MATERIAL	A/R	LB
5	P38 PTYPE SLEEVE	3	EA
4	BACKSHELL UTG	1	EA
3	FEMALE POWER CONTACT	8	EA
2	CABLE 8/5 W UL/CSA 90-DEG C 2000V	A/R	FT
1	UTG6248SNR 8 POS UTG CONNECTOR	1	EA

4 FOR LABELING, SEE LABEL INFO. USE WRAP AROUND LABEL (NO FLAG) AT INDICATED LOCATION AROUND THE CABLE. THE LABEL WILL CONTAIN EATON LOGO, CABLE MODEL NUMBER, REGULATORY MODEL NUMBER, INPUT VOLTAGE/CURRENT RATING (LETTER POINT SIZE: 9) AND UL RECOGNIZED MARK 5mm MIN HEIGHT.

CLIENT DOCUMENT APPROVAL	
X	OPTION
	REVIEWED NO EXCEPTIONS
	REVIEWED EXCEPTIONS NOTED
	REVISE & RESUBMIT
	REJECTED

SIGNATURE & DATE:

COMPANY NAME:

INTERPRET THIS DRAWING IN ACCORDANCE WITH ASME Y14.5M-2009

THIRD ANGLE PROJECTION

UNLESS OTHERWISE SPECIFIED ALL DIMENSIONS ARE IN INCHES
DECIMAL TOLERANCE:
X = ± 0.1 XX = ± 0.01 XXX = 0.005
ANGLE TOLERANCE: ± 2°
BREAK EDGE: 0.015 MAX
FILLET RADII: R0.015 MAX

CONTRACT NO.

DRAWN BY: RH DATE: 9/8/2021

CHECKED BY: EB DATE: 9/8/2021

APPROVED BY: AR DATE: 9/8/2021

REFERENCE DWGS: ePDUG4-0040 v1.1 SPEC

CONTRACT NO.

1740 COMMERCE WAY, PASO ROBLES, CA 93446

Powering Business Worldwide

PART NO.: CBL360-10

DESCRIPTION: CABLE ASSY UNIV 560P6W 32A 10FT UL

SIZE B CAGE CODE 09922 DWG. NO. S100863 REV B

SCALE: NONE SHT 1 OF 1

THE INFORMATION CONTAINED IN THIS DRAWING IS CONFIDENTIAL AND MAY NOT BE DISCLOSED WITHOUT WRITTEN CONSENT FROM EATON LTD.
 CLASSIFICATION
 JURISDICTION DR
 COUNTRY DO
 THIS DRAWING IS A CONTROLLED DOCUMENT FOR EATON INTERCONNECT. IT IS SUBJECT TO CHANGE WITHOUT NOTIFICATION. CONTACT THE DOCUMENT CONTROL CENTER FOR THE LATEST REVISION.