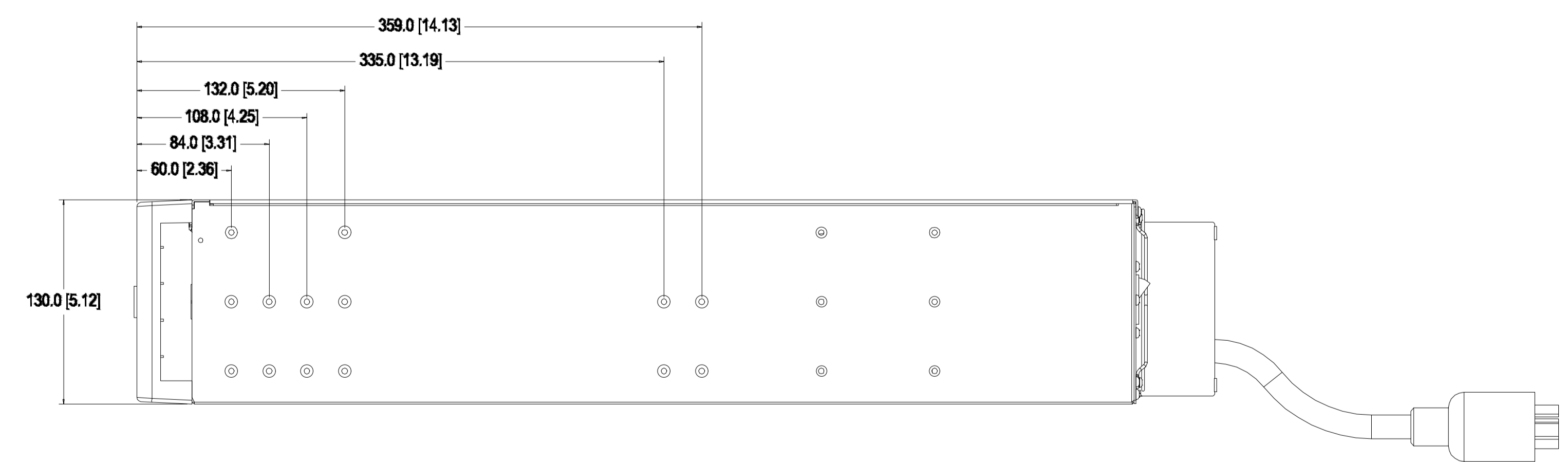
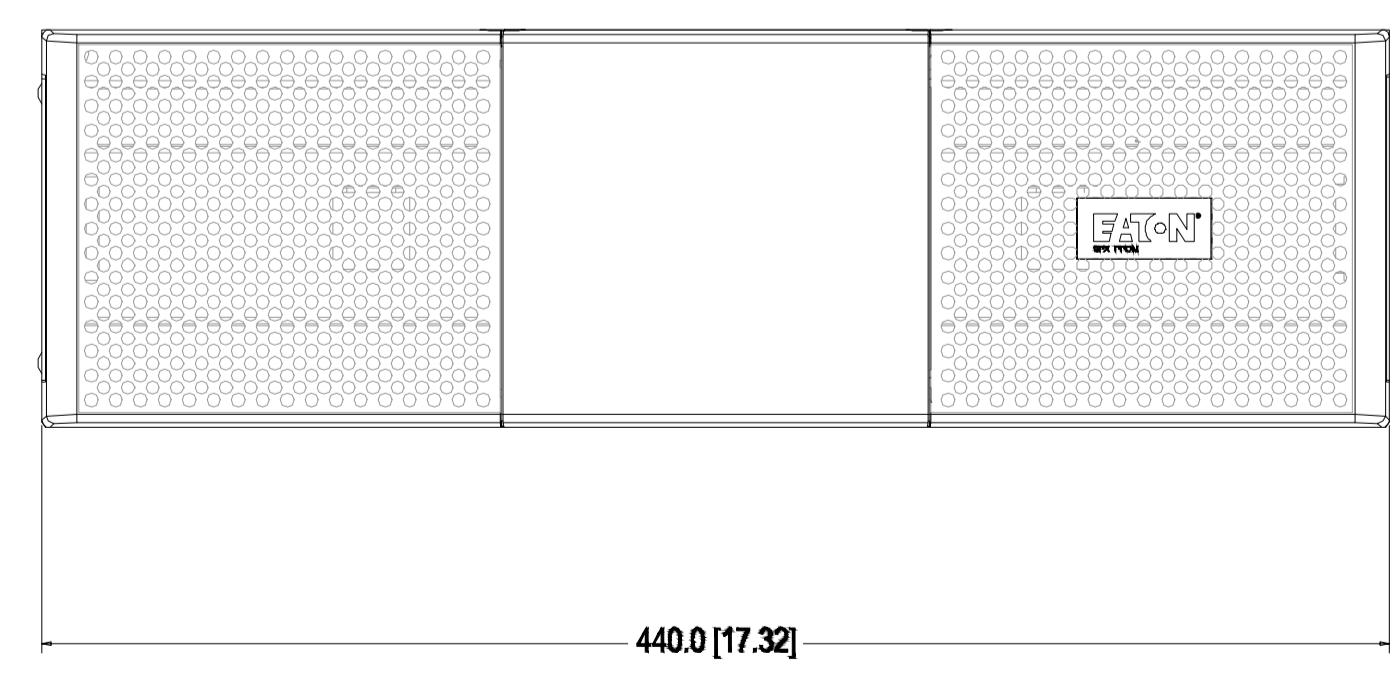
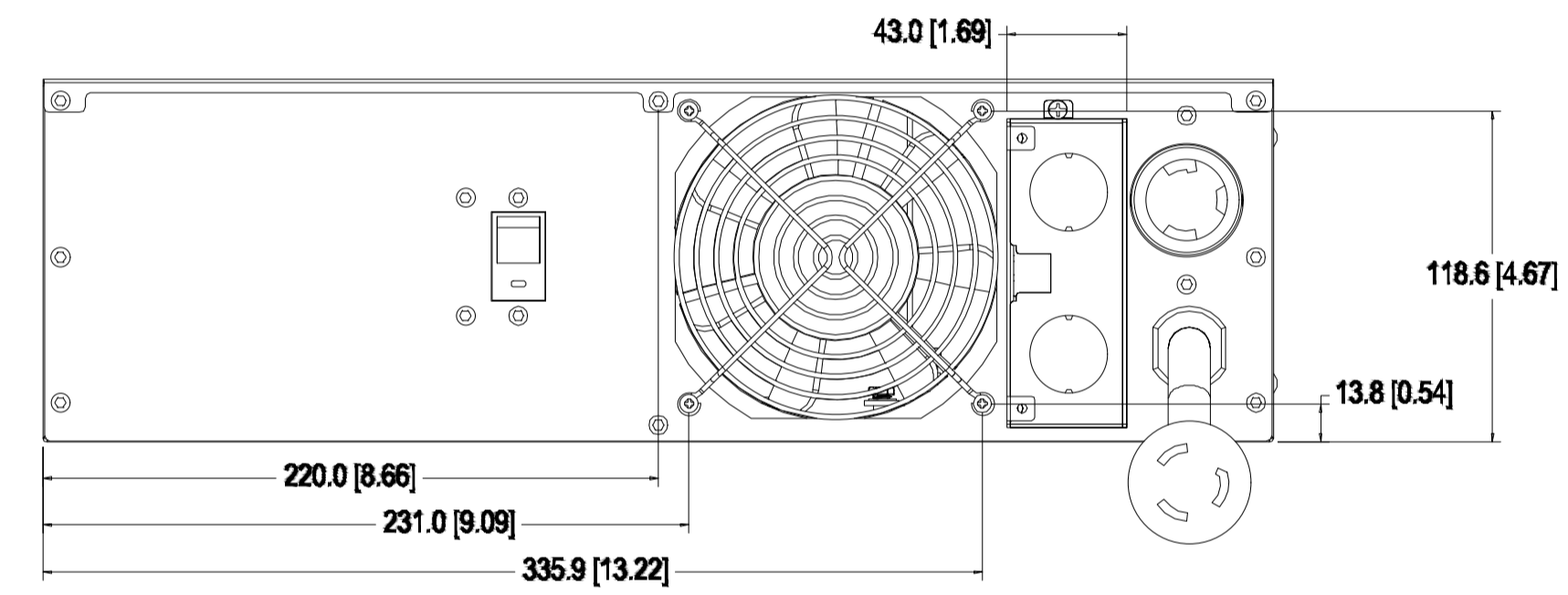
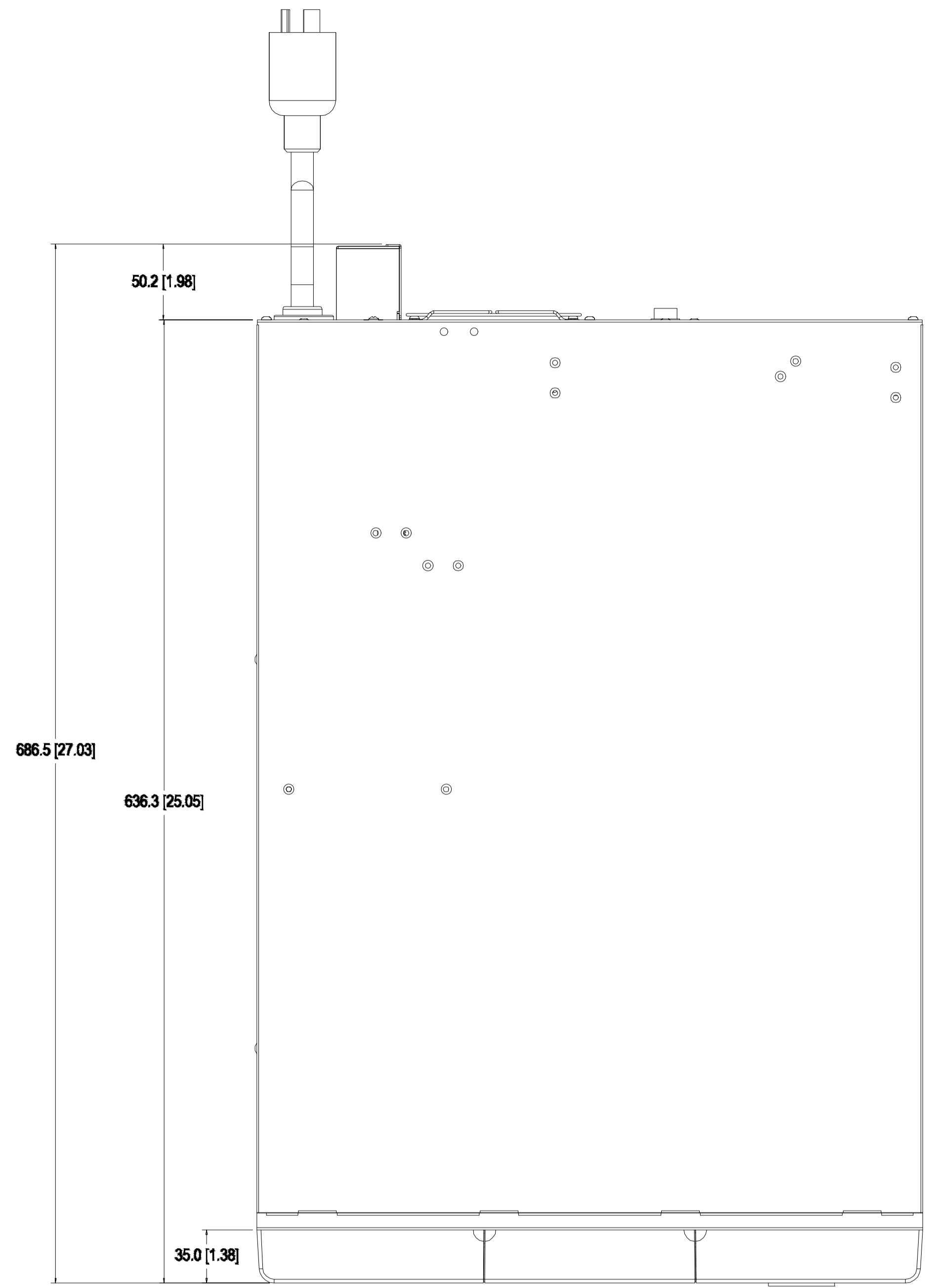


8 7 6 5 4 3 2 1

H G F E D C B A



METRIC	ISO 1000	EATON CORPORATION, ELECTRICAL	EATON	REV: D
DESCRIPTION:	9PXPDM2	UNLESS OTHERWISE SPECIFIED TOLERANCES ON DIMENSIONS ARE: SEE NOTES DIMENSIONS ARE IN MILLIMETERS (INCHES) AND AFTER PLATING		SCALE: 1:1 DO NOT SCALE DIMENSIONS OR CHANGE MANUALLY
DESIGNED BY:	DATE:	PRO-ENGINEER GENERATED	PART NAME: 9PXPDM2	REVISION: 00
©2024 Eaton. All rights reserved.				

8 7 6 5 4 3 2 1

H G F E D C B A