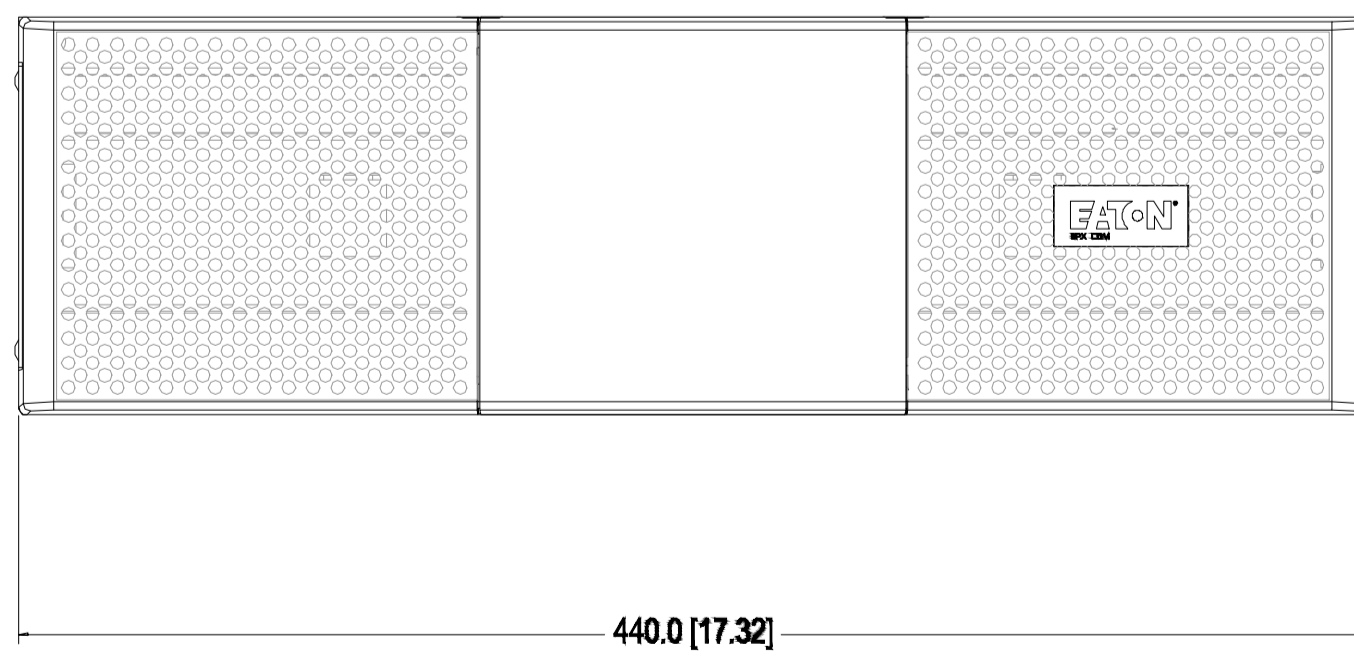
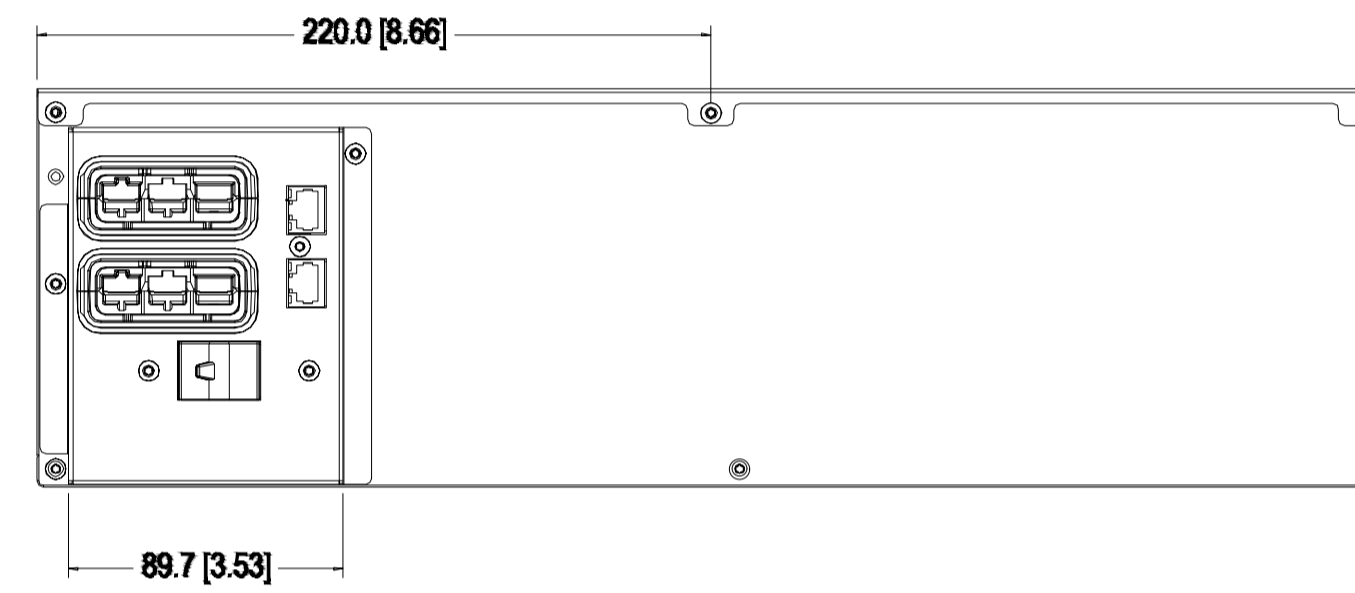
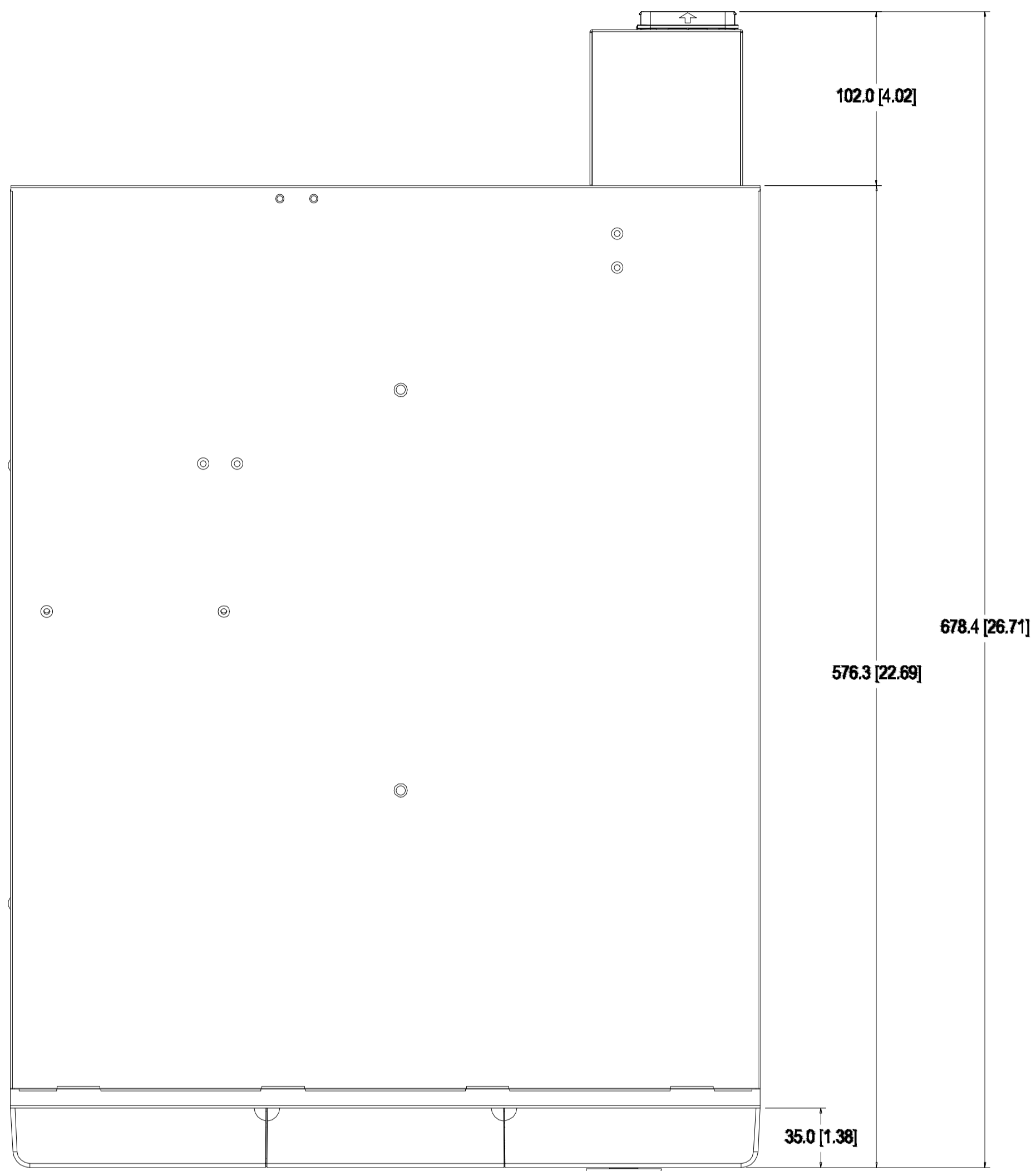


8 7 6 5 4 3 2 1

H
G
F
E
D
C
B
A



8 7 6 5 4 3 2 1

METRIC		EATON CORPORATION, ELECTRICAL		EATON	REV: D
9PXEBM240RT					
DESCRIPTION:	DATE:	UNLESS OTHERWISE SPECIFIED TOLERANCES ON DIMENSIONS ARE:		SCALE: 1:1	
MODIFIED BY:	DATE:	SEE NOTES		DO NOT SCALE	
REV:	DATE: RELEASE	DIMENSIONS ARE IN MILLIMETERS (INCHES) AND AFTER PLATING		DRAWING OR CHANGE MANUALLY	
PRO-ENGINEER GENERATED		PART NAME: 9PXEBM240RT	REVISION: 00	SHEET: 1 of 1	
©2024 Eaton. All rights reserved.					