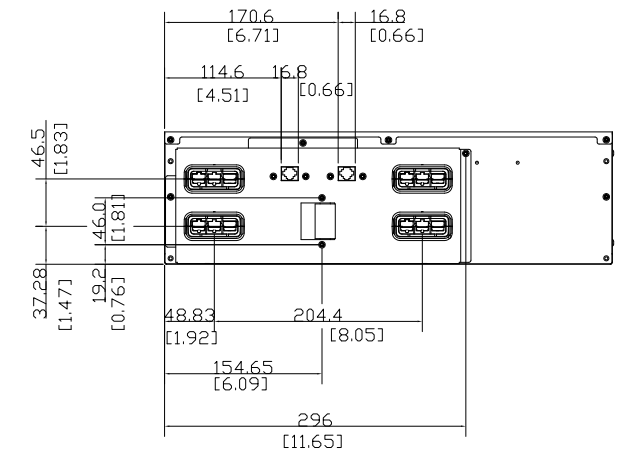
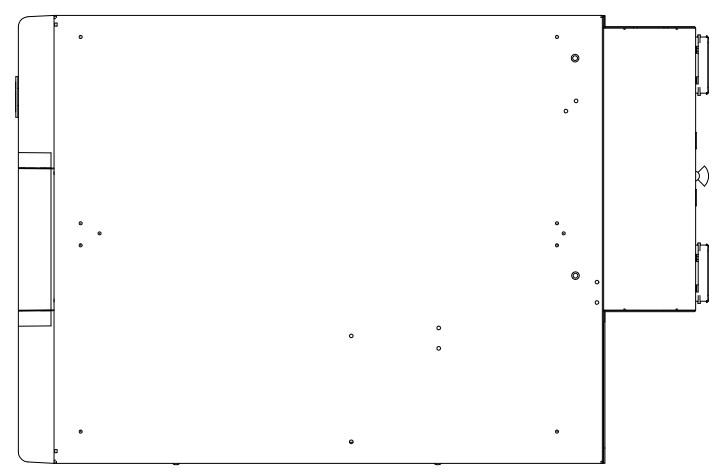
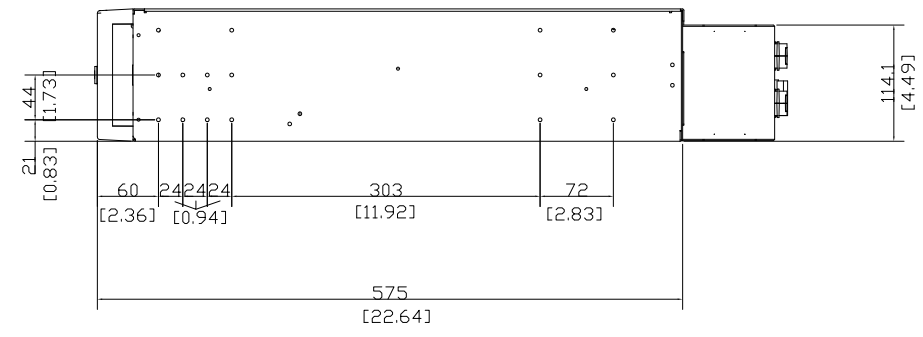


8 7 6 5 4 3 2 1

H
G
F
E
D
C
B
A



Rev	Update	Date	ECN Code	Modification	Drawn	Checked	Approved	Remark
METRIC				EATON CORPORATION, ELECTRICAL				
Prepared by:	Joe Hsieh	2014.01.17		UNLESS OTHERWISE SPECIFIED TOLERANCES TO BE INDICATED AND THE METRIC DIMENSIONS ARE TO BE USED UNLESS OTHERWISE SPECIFIED	SCALE: 1:1	DO NOT SCALE DIMENSIONS		
Checked by:								
Approved by:								
PRO-ENGINEER GENERATED								

8 7 6 5 4 3 2 1