



# SmartOnline<sup>®</sup> SVTX 3-Phase UPS System

10/20/30 kVA

380/400/415V (Ph-Ph) 3-Phase, 4-Wire

- Double Conversion
- Compact Footprint
- 0,9 Power Factor
- 1:1 Generator Sizing
- Scalable Runtime



Tripp Lite's compact and cost-effective SmartOnline SVTX UPS System bridges the gap between the unpredictability of utility power and the needs of business continuity.

Offering the highest level of UPS power protection and pure sine wave output, the SmartOnline SVTX continuously conditions the incoming electrical power supply, riding through blackouts, surges and voltage fluctuations. It also prevents harmonics, electrical impulses, frequency abnormalities and other power problems from disturbing critical loads.

With the smallest footprints in their class, 10, 20 or 30 kVA capacity, and a 0,9 output power factor, the SmartOnline SVTX UPS systems deliver more actual power to your critical loads in less space.

During outages, dependable battery backup power supports your equipment until generators start up and stabilise. And low-input THD ensures 1:1 generator sizing, eliminating costly oversizing requirements. For extended-runtime applications, external battery cabinets can provide over an hour of runtime at full load.

## SmartOnline SVTX Features

Tripp Lite's compact and cost-effective SmartOnline SVTX UPS maintains continuous operation of critical systems, providing high-performance power protection and reliable battery backup.

### MAXIMUM AVAILABILITY

#### Voltage & Frequency Independent (VFI) Operation

Employs true on-line double conversion technology to provide the highest level of UPS protection.

#### Automatic & Maintenance Bypass

Keep critical loads powered during heavy overloads, maintenance and repairs.

#### Wide Input Voltage Window

Regulates voltage without using battery, increasing battery lifetime and conserving runtime for outages.

#### Parallel Capability

Combine up to 3 units for scalable power capacity. (20 kVA and 30 kVA models)

### OPERATIONAL EFFICIENCY

#### High Output Power Factor

Allows the connection of more equipment to each UPS and circuit.

#### Input Total Harmonic Distortion (THDi)

Enables 1:1 generator sizing, eliminating costly oversizing site installation requirements.

#### Best-in-Class Cabinet Footprint

Delivers maximum utility in minimal space.

#### ECO Mode Operation

Increases efficiency to reduce power and cooling costs without compromising protection.

### RELIABLE BACKUP

#### Zero Transfer Time

Prevents dropped loads and malfunctions during transfer between utility power and battery support.

#### Robust Internal Batteries

Provides up to 11 minutes of runtime at half load.

#### External Battery Cabinets

Provides scalable runtime up to 1.5 hours at full load.

#### High Charging Capacity

Minimises recharge time, allowing the UPS to ride through multiple power failures in rapid succession.

#### Battery Self-Test

Ensures batteries are always ready for outages.

### FLEXIBLE MANAGEMENT

#### Multifunction LCD

##### Control Panel

Permits full-featured monitoring and control at the unit.

#### Serial Port

Enables local and remote management.

#### Accessory Card Slot

Supports optional WEBCARDLX for comprehensive network management or RELAYCARDSV for relay interference.

#### Emergency Power Off (EPO)

Executes immediate power shutoff for maximum site safety.



Multifunction LCD Control Panel



SVT30KX Front and Rear Panel



SVT10KX & SVT20KX Front and Rear Panel



Optional BP240V135 External Battery Cabinet

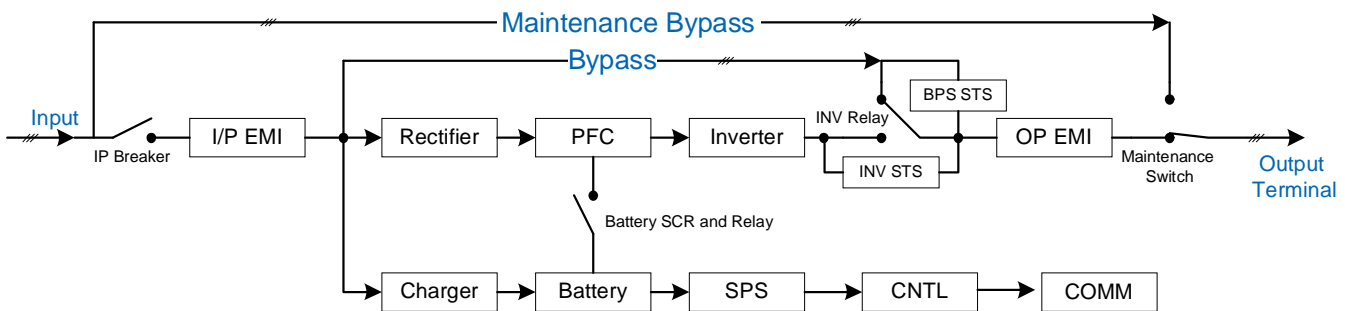
## SmartOnline SVTX Technical Specifications

OVERVIEW			
<b>MODEL</b>	<b>SVT10KX</b>	<b>SVT20KX</b>	<b>SVT30KX</b>
<b>CAPACITY</b>	10 kVA / 9 kW	20 kVA / 18 kW	30 kVA / 27 kW
<b>TOPOLOGY</b>	Voltage and Frequency Independent (VFI) True On-Line Double Conversion		
INPUT			
<b>Voltage</b>	380/400/415V (Ph-Ph); 220/230/240V (Ph-N)		
<b>Voltage Range</b>	305 – 478V (100% load)		
<b>Phase</b>	Three-Phase, Neutral and Ground		
<b>Operating Frequency</b>	50/60 Hz (Selectable)		
<b>Frequency Range</b>	46 – 54 Hz (50 Hz System); 56 – 64 Hz (60 Hz System)		
<b>Power Factor</b>	>0,99%		
<b>THDi</b>	<6%		
<b>Inverter Bridge</b>	IGBT Technology		
OUTPUT			
<b>Voltage</b>	380/400/415V (Ph-Ph); 220/230/240V (Ph-N)		
<b>AC Voltage Regulation</b>	+/- 1%		
<b>Efficiency (Line Mode, 100% Load)</b>	90%	91%	92%
<b>Efficiency (ECO Mode, 100% Load)</b>	99%	97%	97%
<b>Frequency</b>	50/60 Hz (Selectable)		
<b>Frequency Range</b>	+/- 0,1 Hz		
<b>Overload (AC &amp; Battery Mode)</b>	100% – 110% (10 min.)		
	111% – 130% (1 min.)		
	>130% (1 sec.)		
<b>Crest Factor</b>	3:1		
<b>Harmonic Distortion</b>	<2% (Linear Load); <5% (Non-Linear Load)		
<b>Transfer Time (Line to/from Battery)</b>	0 ms		
<b>Transfer Time (Inverter to/from Bypass)</b>	0 ms		
<b>Output Waveform</b>	Pure Sine Wave		
BYPASS			
<b>Automatic Bypass</b>	Standard		
<b>Manual Bypass</b>	Standard		
<b>Transfer Time</b>	<1 ms		
<b>Default Bypass Voltage Tolerance</b>	190V – 457V (Ph-Ph, Adjustable)		
<b>Overload</b>	<130% (Continuous)		
	>130% (1 min.)		
BATTERY			
<b>Battery Type</b>	Maintenance-Free Sealed Valve-Regulated Lead-Acid (VRLA)		
<b>Battery Capacity</b>	12V 9 Ah		
<b>Quantity</b>	20	20 x 2	20 x 3
<b>Battery Charging Capacity</b>	2A	4A	
<b>Float Voltage</b>	273V DC +/- 1%		
<b>Battery Storage Time</b>	6 months (Without Recharge, 25°C)		
<b>Matching Battery Cabinet</b>	BP240V135 (Connect up to 3 battery cabinets per UPS)		
BATTERY RUNTIME (50% / 100% Load)			
<b>Internal Batteries Only</b>	11 / 4 min.	11 / 4 min.	11 / 4 min.
<b>+1 BP240V135 External Battery Cabinet</b>	68 / 29 min.	38 / 16 min.	32 / 13 min.
<b>+2 BP240V135 External Battery Cabinets</b>	135 / 59 min.	68 / 30 min.	53 / 22 min.
<b>+3 BP240V135 External Battery Cabinets</b>	206 / 92 min.	101 / 45 min.	76 / 31 min.
ENVIRONMENT			
<b>Operating Temperature</b>	0 - 40°C (For Optimal Battery Life <25°C)		
<b>Operating Humidity</b>	0 – 95% (Non-Condensing)		
<b>Operating Altitude</b>	<1000 m (1% Derating per 100 m Above 1000 m)		
<b>Audible Noise</b>	<65 dBA @ 1 m		
<b>Degree of Protection (Enclosure)</b>	IP20		

## SmartOnline SVTX Technical Specifications (continued)

MANAGEMENT			
MODEL	SVT10KX	SVT20KX	SVT30KX
Multifunctional LCD	Standard		
RS-232 (DB9 Serial)	Standard		
Network Interface Card (SNMP)	Optional (WEBCARDLX)		
Relay Interface Card	Optional (RELAYCARDSV)		
Frequency Converter Mode	Programmable		
Parallel Capability for Capacity	No	Up to 3 Units	
EPO (Emergency Power Off)	Standard		
STANDARDS			
Safety	IEC/EN 62040-1		
EMC	IEC/EN 62040-2; IEC/EN 61000-4-2; IEC/EN 61000-4-3		
Surge	IEC/EN 61000-4-5 Level 4		
Conduction Immunity	IEC/EN 61000-4-6		
Approvals	TUV		
RoHS	Yes		
PHYSICAL			
Dimensions (HxWxD)	862 x 250 x 813 mm		1035 x 300 x 813 mm
Unit Weight	118 kg	178 kg	235 kg
Shipping Dimensions (HxWxD)	1060 x 380 x 920 mm		1240 x 430 x 920 mm
Shipping Weight	135 kg	195 kg	255 kg
Cabinet Color	RAL 9005 (Black)		
WIRING			
Input (Ph)	5 mm <sup>2</sup>	8 mm <sup>2</sup>	8 mm <sup>2</sup>
Output (Ph)	5 mm <sup>2</sup>	8 mm <sup>2</sup>	8 mm <sup>2</sup>
Neutral	8 mm <sup>2</sup>	13 mm <sup>2</sup>	21 mm <sup>2</sup>
Ground	8 mm <sup>2</sup>	13 mm <sup>2</sup>	21 mm <sup>2</sup>
Maximum Cable Length	10 m	10 m	10 m

### UPS Functional Block Diagram



Tripp Lite Middle East +971.4.887.1633 | infome@tripplite.com

Tripp Lite East/West Africa +254.731.137.202 | salesint@tripplite.com

Tripp Lite Asia Pacific +972.54.530.4120 | salesint@tripplite.com

Tripp Lite Eastern Europe +36.70.388.7680 | salesint@tripplite.com

Tripp Lite France +33.0.68.388.9150 | salesint@tripplite.com

Tripp Lite United Kingdom +44.01635.887396 | info-uk@tripplite.com



Tripp Lite Corporate Headquarters:

1111 W. 35th Street,  
Chicago, IL 60609 USA

+1.773.869.1212

www.tripplite.com